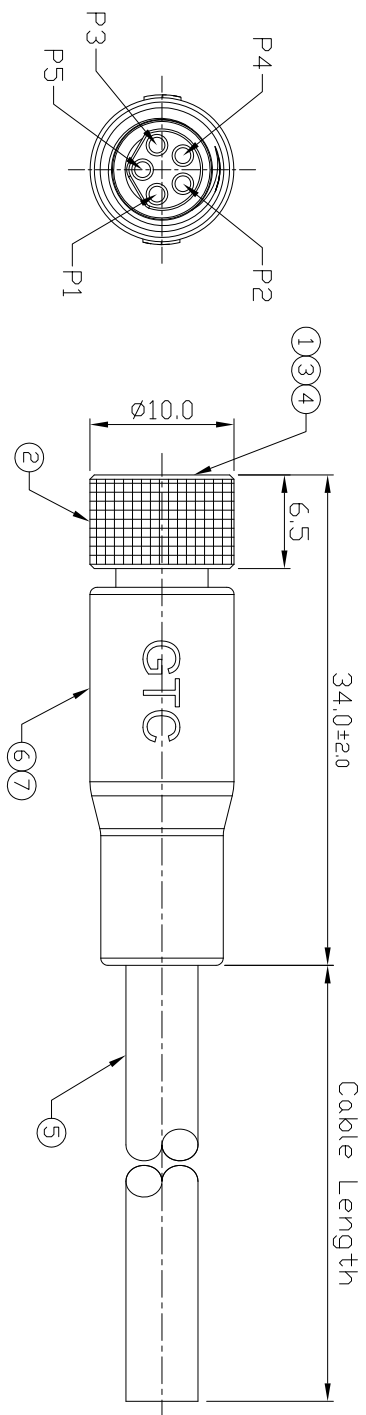


- Notes: (Unless Otherwise Specified)
1. Waterproof Rate: IP68.
  2. Durability: 100 Cycles Min.
  3. DWV: 650 Vrms.
  4. Rated Voltage: 30V AC/DC.
  5. Insulation Resistance: 100 MΩ Min.
  6. RoHS Compliance.

REV	ECN#	DESCRIPTION OF REVISION	DRAW BY DATE	CHECK BY DATE	APPROVE BY DATE
A0		Mass Production	Joyce 05/11/11	Lucas 05/11/11	Ray 05/11/11
A1	ECN-110608	Modify D-Ring Color(Red->Black); Marked	Joyce 06/23/11	Lucas 06/23/11	Ray 06/23/11



Item	Part Name	Material / Finish	Qty
1	Housing	Thermal Plastic Color: Black	1
2	Screw Nut	Copper Alloy Finish: Ni Plated	1
3	Contacts	Copper Alloy Finish: Au Plated	5
4	D-Ring	NBR Color: Black	1
5	Cable	UL2464 22AWG*5C+1a1c(UV) Color: Black, DD=5.5±0.2mm	1
6	Inner Mold	Thermal Plastic Color: White	1
7	Dyer Mold	PVC Color: Black	1

GTC  
DOC.CENTER.ISSUE  
JUN.27.2011  
ONLY FOR  
RELEASE

Wiring Diagram	Color
1	Black
2	Orange
3	Brown
4	Red
5	Yellow

Part No.	Cable Length	Tol.
GT2322A4-23051-10	1000 mm	±500
GT2322A4-23051-09	900 mm	±450
GT2322A4-23051-08	800 mm	±400
GT2322A4-23051-07	700 mm	±350
GT2322A4-23051-06	600 mm	±300
GT2322A4-23051-05	500 mm	±250
GT2322A4-23051-04	400 mm	±200
GT2322A4-23051-03	300 mm	±150
GT2322A4-23051-02	200 mm	±100
GT2322A4-23051-01	100 mm	±50
GT2322A4-23051-Z5	500 mm	±40

TITLE M8 B-Coding 3A 5P Cable End Without SR Female

DO NOT SCALE DRAWINGS	SIZE	SCALE	DRAW / DATE	CHECK / DATE	APPROVE / DATE	DRAWING NUMBER	REV.
	B	2:1	Joyce 05/11/11	Lucas 05/11/11	Ray 05/11/11	GT2322A4-23051-XX	A1
THIRD ANGLE PROJECTION						TOLERANCES	SHEET
						± 0.2 ANGLES ± 1°	1/1

NOTICE OF PROPRIETARY PROPERTY:  
THE INFORMATION CONTAINED HEREIN IS THE PROPRIETARY PROPERTY OF GT CONTACT CO.,LTD. THE POSSESSOR AGREES TO THE FOLLOWING:  
DO NOT REPRODUCE OR COPY IT  
DO NOT REVISE, OR PUBLISH IT IN WHOLE OR PART  
© ALL RIGHTS RESERVED

GT Contact CO.,LTD

GT Contact CO.,LTD