

4

3

2

1

| REV | ECN# | DESCRIPTION OF REVISION |
|-----|------|-------------------------|
| 01  |      | 042109                  |

## NOTES:

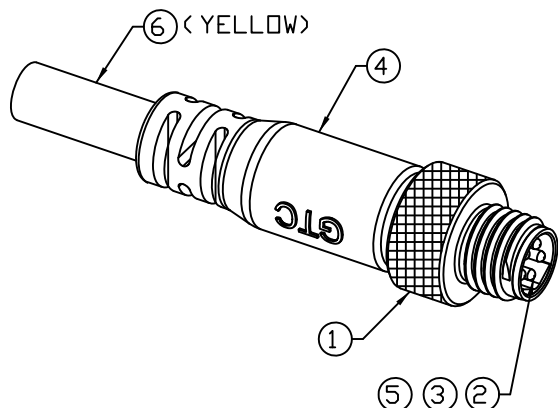
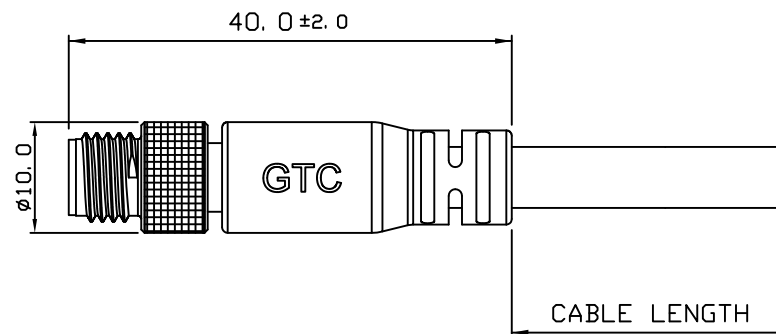
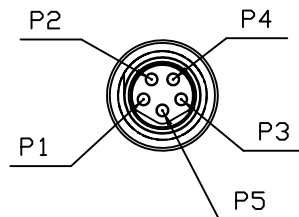
- DURABILITY: 100 CYCLES MIN.
- DWV: 650 Vrms
- RATED CURRNET: 3A.
- RATED VOLTAGE: 30V.
- INSULATION RESISTANCE: 100 M OHM MIN.
- IP68
- CABLE LENGTH TOLERANCE:  
0 to 1M: ± 40 mm  
1 to 10M: ± 5% mm  
OVER 10 M: ± 500 mm
- P/N: GT232234-23055-XX

## CABLE LENGTH

01: 1 M  
02: 2 M  
Z3: 30 CM  
A0: 100 M

|   |        |
|---|--------|
| 1 | BLACK  |
| 2 | ORANGE |
| 3 | BROWN  |
| 4 | RED    |
| 5 | YELLOW |

## WIRE DIAGRAM



| ITEM | NAME      | Q' TY | MATERIAL / FINISH                               |
|------|-----------|-------|---|
| 1    | SCREW NUT | 1     | BRASS<br>FINISH: NICKEL PLATING                 |
| 2    | CONTACTS  | 5     | COPPER ALLOY<br>FINISH: GOLD                    |
| 3    | HOUSING   | 1     | THERMAL PLASTIC; UL94V-0<br>FINISH: BLACK       |
| 4    | OVER MOLD | 1     | PVC; UL94V-0<br>FINISH: YELLOW                  |
| 5    | BUSH      | 1     | BRASS<br>FINISH: NICKEL PLATING                 |
| 6    | CABLE     | 1     | UL2464 22AWG*5C+Talc<br>DD=5.5mm (UV RESISTANT) |

## METRIC

## GT Contact CO., LTD

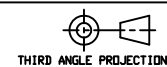
|                  |                  |
|------------------|------------------|
| DRAFTER<br>Karen | DATE<br>04/21/09 |
| APPROVE<br>Karen | DATE<br>04/21/09 |

NOTICE OF PROPRIETARY PROPERTY:  
THE INFORMATION CONTAINED HEREIN IS THE PROPRIETARY PROPERTY OF GT Contact CO., LTD THE POSSESSOR AGREES TO THE FOLLOWING:  
(1) TO MAINTAIN THIS DOCUMENT IN CONFIDENCE  
(11) NOT TO REPRODUCE OR COPY IT  
(111) NOT TO REVEAL OR PUBLISH IT IN WHOLE OR PART  
(1V) ALL RIGHTS RESERVED

DIMENSIONS ARE IN MILLIMETERS  
TOLERANCES

|        |       |
|--------|-------|
| X. X   | ±0.5  |
| X. XX  | ±0.20 |
| X. XXX | ±0.05 |
| ANGLES | ±2°   |

DO NOT SCALE DRAWINGS



SIZE  
B

TITLE  
M8 male cable 3A 5P 180 sr

DRAWING NUMBER  
GT232234-23055-XX

REV.  
01

SCALE  
N/A

SHT 1 OF 1

4

3

2