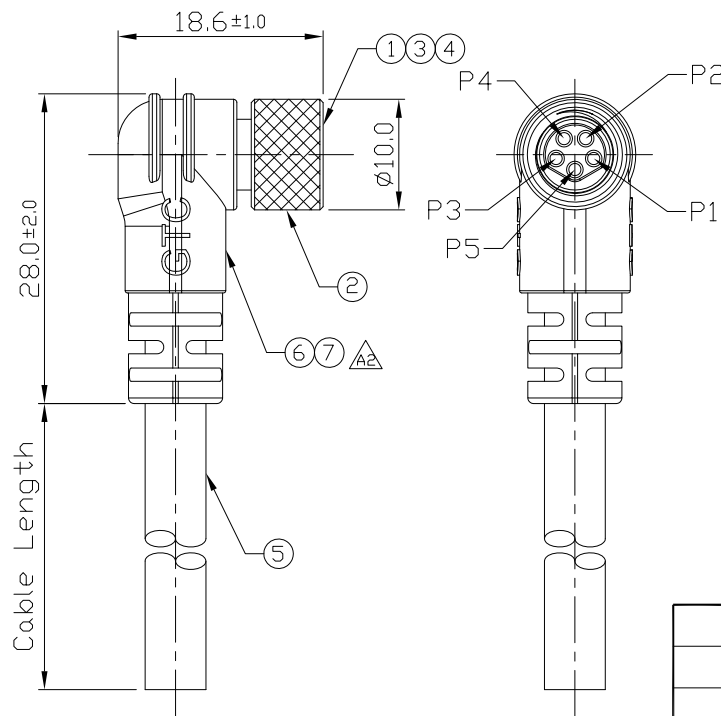


Notes: (Unless Otherwise Specified)

1. Waterproof Rate: IP68.
2. Durability: 100 Cycles Min.
3. DWV: 650 Vrms.
4. Rated Voltage: 30V AC/DC.
5. Insulation Resistance: 100 MΩ Min.
6. RoHS Compliant.

REV	ECN#	DESCRIPTION OF REVISION	DRAW BY DATE	CHECK BY DATE	APPROVE BY DATE
A0		Mass Production	Joyce 05/11/11	Lucas 05/11/11	Ray 05/11/11
A1	ECN-110608	Modify O-Ring Color(Red->Black); Marked $\triangle A1$	Joyce 06/23/11	Lucas 06/23/11	Ray 06/23/11
A2	ECN-140419	Cancel Inner Mold & Added Glue $\triangle A2$	Joyce 05/21/14	Lucas 05/21/14	Ray 05/21/14



1	Black
2	Orange
3	Brown
4	Red
5	Yellow

Wiring Diagram

Part No.	Cable Length	Tol.
GT232225-23055-10	10000 mm	±500
GT232225-23055-09	9000 mm	±450
GT232225-23055-08	8000 mm	±400
GT232225-23055-07	7000 mm	±350
GT232225-23055-06	6000 mm	±300
GT232225-23055-05	5000 mm	±250
GT232225-23055-04	4000 mm	±200
GT232225-23055-03	3000 mm	±150
GT232225-23055-02	2000 mm	±100
GT232225-23055-01	1000 mm	±50
GT232225-23055-Z5	500 mm	±40

Item	Part Name	Material / Finish	Q'ty
7	Over Mold	PVC Color: Yellow	1
6	Glue	Silicone Color: -	1 $\triangle A2$
5	Cable	UL2464 22AWG*5C+Talc(UV) Color: Yellow, OD=5.5±0.2mm	1
4	O-Ring	NBR Color: Black	1 $\triangle A1$
3	Contacts	Copper Alloy Finish: Au Plated	5
2	Screw Nut	Copper Alloy Finish: Ni Plated	1
1	Housing	Thermoplastic Color: Black	1

TITLE	DRAWING NUMBER	REV.
M8 B-Coding 3A 5P Cable End 90° Female	GT232225-23055-XX	A2

THIRD ANGLE PROJECTION	SIZE	SCALE	DRAW / DATE	CHECK / DATE	APPROVE / DATE	TOLERANCES	UNIT	SHEET
	B	1.5:1	Joyce 05/11/11	Lucas 05/11/11	Ray 05/11/11	X.X ± 0.5 X.XX ± 0.2	mm	1/1

GT Contact CO.,LTD

NOTICE OF PROPRIETARY PROPERTY:

THE INFORMATION CONTAINED HEREIN IS THE PROPRIETARY PROPERTY OF GT Contact CO.,LTD THE POSSESSOR AGREES TO THE FOLLOWING:

(1) TO MAINTAIN THIS DOCUMENT IN CONFIDENCE

(2) NOT TO REPRODUCE OR COPY IT

(3) NOT TO REVEAL OR PUBLISH IT IN WHOLE OR PART

(4) ALL RIGHTS RESERVED