
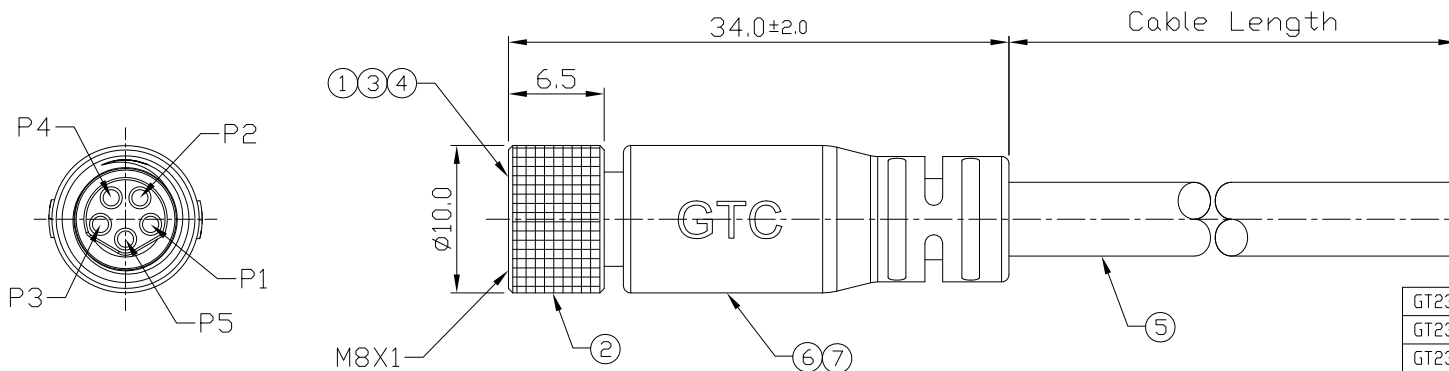


Notes: (Unless Otherwise Specified)

1. Waterproof Rate: IP68.
2. Durability: 100 Cycles Min.
3. DWV: 650 Vrms.
4. Rated Voltage: 30V AC/DC.
5. Insulation Resistance: 100 MΩ Min.
6. RoHS Compliant.

REV	ECN#	DESCRIPTION OF REVISION	DRAW BY DATE	CHECK BY DATE	APPROVE BY DATE
A0		Mass Production	Joyce 05/11/11	Lucas 05/11/11	Ray 05/11/11
A1	ECN-110608	Modify O-Ring Color(Red->Black); Marked 	Joyce 06/23/11	Lucas 06/23/11	Ray 06/23/11



GT232224-23051-10	10000 mm	±500
GT232224-23051-09	9000 mm	±450
GT232224-23051-08	8000 mm	±400
GT232224-23051-07	7000 mm	±150
GT232224-23051-06	6000 mm	±150
GT232224-23051-05	5000 mm	±150
GT232224-23051-04	4000 mm	±150
GT232224-23051-03	3000 mm	±150
GT232224-23051-02	2000 mm	±100
GT232224-23051-01	1000 mm	±50
GT232224-23051-Z9	900 mm	±40
GT232224-23051-Z8	800 mm	±40
GT232224-23051-Z7	700 mm	±40
GT232224-23051-Z6	600 mm	±40
GT232224-23051-Z5	500 mm	±40
GT232224-23051-Z4	400 mm	±20
GT232224-23051-Z3	300 mm	±20
GT232224-23051-Z2	200 mm	±10
GT232224-23051-Z1	100 mm	±10
Part No.	Cable Length	Tol.

7	Over Mold	PVC Color: Black	1
6	Inner Mold	Thermoplastic Color: White	1
5	Cable	UL2464 22AWG*5C+Talc(UV) Color: Black, OD=5.5±0.2mm	1
4	O-Ring	NBR Color: Black	1
3	Contacts	Copper Alloy Finish: Au Plated	5
2	Screw Nut	Copper Alloy Finish: Ni Plated	1
1	Housing	Thermoplastic Color: Black	1
Item	Part Name	Material / Finish	Q'TY

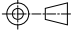
GTC
DOC.CENTER.ISSUE
JUN.27.2011
ONLY FOR
RELEASE

1	Black
2	Orange
3	Brown
4	Red
5	Yellow

Wiring Diagram

GT Contact CO.,LTD

NOTICE OF PROPRIETARY PROPERTY:
THE INFORMATION CONTAINED HEREIN IS THE PROPRIETARY PROPERTY OF GT Contact CO.,LTD THE POSSESSOR AGREES TO THE FOLLOWING:
(i) TO MAINTAIN THIS DOCUMENT IN CONFIDENCE
(ii) NOT TO REPRODUCE OR COPY IT
(iii) NOT TO REVEAL OR PUBLISH IT IN WHOLE OR PART
(iv) ALL RIGHTS RESERVED

TITLE						DRAWING NUMBER			REV.	
M8 B-Coding 3A 5P Cable End Female						GT232224-23051-XX			A1	
	B	2:1	Joyce 05/11/11	Lucas 05/11/11	Ray 05/11/11	X.X ± 0.5 X.XX ± 0.2	X.XXX ± 0.05 ANGLES ± 1°	mm	1/1	
THIRD ANGLE PROJECTION	SIZE	SCALE	DRAW / DATE	CHECK / DATE	APPROVE / DATE	TOLERANCES		UNIT	SHEET	