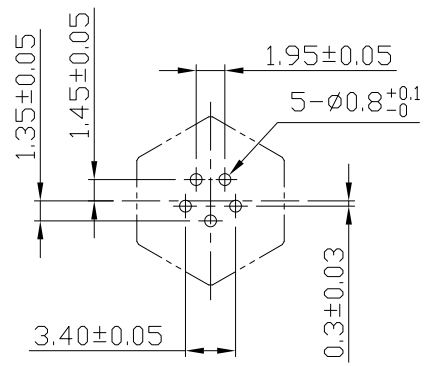


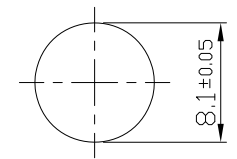
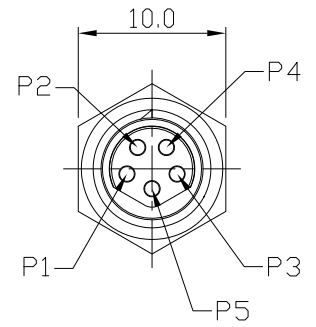
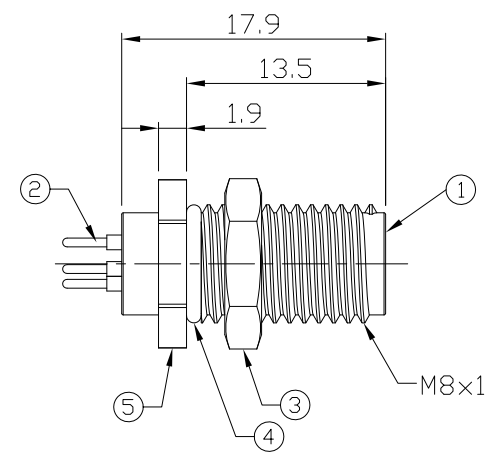
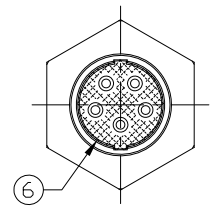
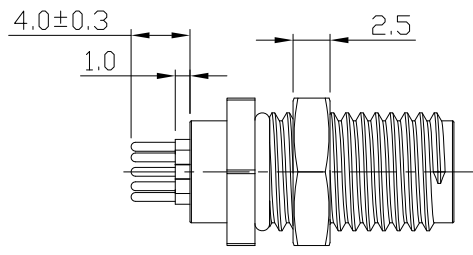
Notes: (Unless Otherwise Specified)

1. Waterproof Rate: IP68.
2. Recommend Panel Thickness: 0.8 To 4.0 mm.
3. Recommend Torque: 6~7 Kgf-cm.
4. Durability: 100 Cycles Min.
5. DWV: 650 Vrms.
6. Rated Voltage: 30V AC/DC.
7. Insulation Resistance: 100 MΩ Min.
8. Mating Cap P/N: GT1C323102.
9. RoHS Compliant.

REV	ECN#	DESCRIPTION OF REVISION	DRAW BY DATE	CHECK BY DATE	APPROVE BY DATE
A1	ECN-200414	Addition Recommend PCB Layout	Hank 04/14/20	Lucas 04/14/20	Ray 04/14/20



△ Recommend PCB Layout



Recommend Panel Cut-Out

GTC
DOC.CENTER.ISSUE
APR.15.2020
ONLY FOR
RELEASE

Item	Part Name	Material / Finish	Q'ty
6	Glue	Epoxy Color: Black	
5	Metal Body	Copper Alloy Finish: Ni Plated	1
4	O-Ring	NBR Color: Black	1
3	Hex Nut	Copper Alloy Finish: Ni Plated	1
2	Contacts	Copper Alloy Finish: Au Plated	5
1	Housing	Thermoplastic Color: Black	1

TITLE	M8 B-Coding 3A 5P Panel Front Mount Male Dip	DRAWING NUMBER	GT232212-13050	REV.	A1
-------	--	----------------	----------------	------	----

THIRD ANGLE PROJECTION	SIZE	SCALE	DRAW / DATE	CHECK / DATE	APPROVE / DATE	TOLERANCES	UNIT	SHEET
	B	2:1	Joyce 05/11/11	Lucas 05/11/11	Ray 05/11/11	X.X ± 0.5 X.XX ± 0.2	mm	1/1
						X.XXX ± 0.05 ANGLES ± 1°		

GT Contact CO.,LTD

NOTICE OF PROPRIETARY PROPERTY:
THE INFORMATION CONTAINED HEREIN IS THE PROPRIETARY PROPERTY OF GT Contact CO.,LTD THE POSSESSOR AGREES TO THE FOLLOWING:
(a) TO MAINTAIN THIS DOCUMENT IN CONFIDENCE
(b) NOT TO REPRODUCE OR COPY IT
(c) NOT TO REVEAL OR PUBLISH IT IN WHOLE OR PART
(d) ALL RIGHTS RESERVED