

1

2

3

4

Notes: (Unless Otherwise Specified)

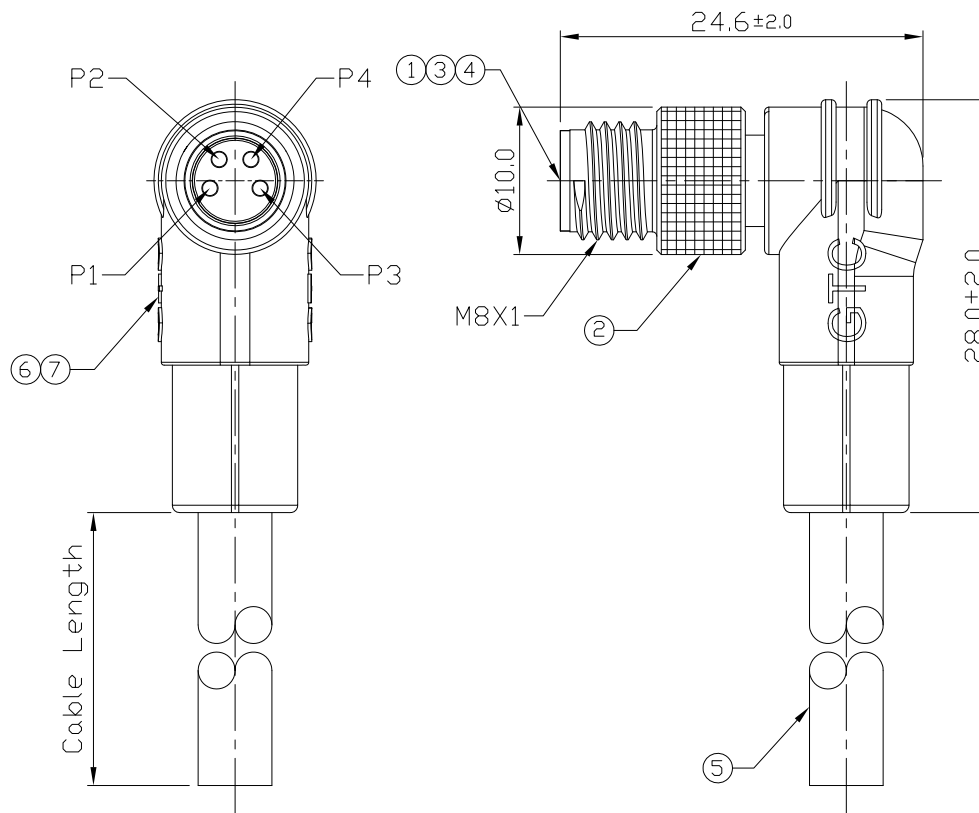
1. Waterproof Rate: IP68.
2. Durability: 100 Cycles Min.
3. DWV: 650 Vrms.
4. Rated Voltage: 60V AC/DC.
5. Insulation Resistance: 100 MΩ Min.
6. RoHS Compliant.

REV	ECN#	DESCRIPTION OF REVISION	DRAW BY DATE	CHECK BY DATE	APPROVE BY DATE
A0		Mass Production	Edwin 11/04/14	Lucas 11/04/14	Ray 11/04/14

GTC
DOC.CENTER.ISSUE
NOV.18.2014
ONLY FOR
RELEASE

1	Black
2	Brown
3	Red
4	Orange

Wiring Diagram



GT2321B5-23041-10	10000 mm	±500
GT2321B5-23041-09	9000 mm	±450
GT2321B5-23041-08	8000 mm	±400
GT2321B5-23041-07	7000 mm	±150
GT2321B5-23041-06	6000 mm	±150
GT2321B5-23041-05	5000 mm	±150
GT2321B5-23041-04	4000 mm	±150
GT2321B5-23041-03	3000 mm	±150
GT2321B5-23041-02	2000 mm	±100
GT2321B5-23041-01	1000 mm	±50
GT2321B5-23041-Z9	900 mm	±40
GT2321B5-23041-Z8	800 mm	±40
GT2321B5-23041-Z7	700 mm	±40
GT2321B5-23041-Z6	600 mm	±40
GT2321B5-23041-Z5	500 mm	±40
GT2321B5-23041-Z4	400 mm	±20
GT2321B5-23041-Z3	300 mm	±20
GT2321B5-23041-Z2	200 mm	±10
GT2321B5-23041-Z1	100 mm	±10
Part No.	Cable Length	Tol.

7	Over Mold	PVC Color: Black	1
6	Inner Mold	Thermoplastic Color: White Or Black	1
5	Cable	UL2464 22AWG*4C+Talc(UV) Color: Black, OD=5.0±0.2mm	1
4	Bush	Copper Alloy Finish: Ni Plated	1
3	Contacts	Copper Alloy Finish: Au Plated	4
2	Screw Nut	Copper Alloy Finish: Ni Plated	1
1	Housing	Thermoplastic Color: Black	1
Item	Part Name	Material / Finish	Q'ty

TITLE						DRAWING NUMBER			REV.	
M8 A-Coding 3A 4P Cable End 90° W/D SR Male						GT2321B5-23041-XX			A0	
	B	2:1	Edwin 11/04/14	Lucas 11/04/14	Ray 11/04/14	X.X ± 0.5 X.XX ± 0.2	X.XXX ± 0.05 ANGLES ± 1°	mm	1/1	
THIRD ANGLE PROJECTION	SIZE	SCALE	DRAW / DATE	CHECK / DATE	APPROVE / DATE	TOLERANCES		UNIT	SHEET	

GT Contact CO.,LTD

NOTICE OF PROPRIETARY PROPERTY:
THE INFORMATION CONTAINED HEREIN IS THE PROPRIETARY PROPERTY OF GT Contact CO.,LTD THE POSSESSOR AGREES TO THE FOLLOWING:
(a) TO MAINTAIN THIS DOCUMENT IN CONFIDENCE
(b) NOT TO REPRODUCE OR COPY IT
(c) NOT TO REVEAL OR PUBLISH IT IN WHOLE OR PART
(d) ALL RIGHTS RESERVED

1

2

3

4