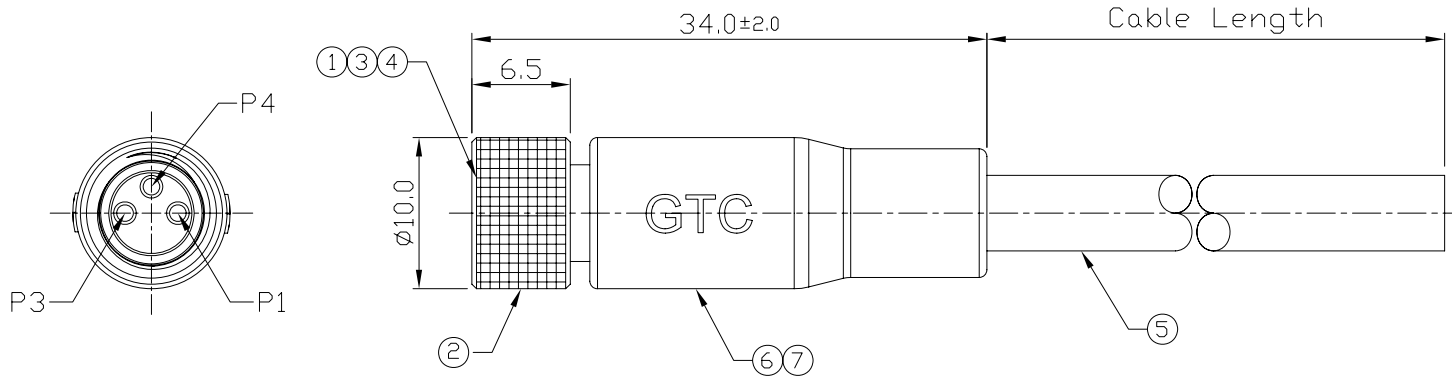


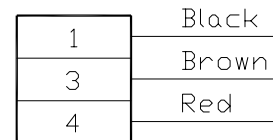
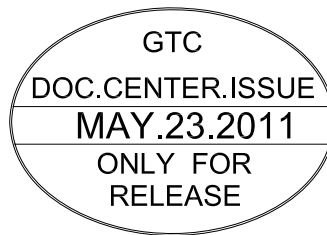
Notes: (Unless Otherwise Specified)

1. Waterproof Rate: IP68.
2. Durability: 100 Cycles Min.
3. DWV: 1000 Vrms.
4. Rated Voltage: 60V AC/DC.
5. Insulation Resistance: 100 MΩ Min.
6. RoHS Compliance.

| REV | ECN# | DESCRIPTION OF REVISION | DRAW BY DATE | CHECK BY DATE | APPROVE BY DATE |
|-----|------|-------------------------|----------------|----------------|-----------------|
| A0 | | Mass Production | Joyce 05/11/11 | Lucas 05/11/11 | Ray 05/11/11 |



| 7 | Over Mold | PVC Color: Black | 1 |
|------|------------|--|------|
| 6 | Inner Mold | Thermal Plastic Color: White | 1 |
| 5 | Cable | UL2464 22AWG*3C+Talc(UV) Color: Black, OD=5.0±0.2mm | 1 |
| 4 | O-Ring | NBR Color: Red | 1 |
| 3 | Contacts | Copper Alloy Finish: Au Plated | 3 |
| 2 | Screw Nut | Copper Alloy Finish: Ni Plated | 1 |
| 1 | Housing | Thermal Plastic Color: Black | 1 |
| Item | Part Name | Material / Finish | Q'ty |



Wiring Diagram

| GT2321A4-23031-10 | 10000 mm | ±500 |
|-------------------|--------------|------|
| GT2321A4-23031-09 | 9000 mm | ±450 |
| GT2321A4-23031-08 | 8000 mm | ±400 |
| GT2321A4-23031-07 | 7000 mm | ±350 |
| GT2321A4-23031-06 | 6000 mm | ±300 |
| GT2321A4-23031-05 | 5000 mm | ±250 |
| GT2321A4-23031-04 | 4000 mm | ±200 |
| GT2321A4-23031-03 | 3000 mm | ±150 |
| GT2321A4-23031-02 | 2000 mm | ±100 |
| GT2321A4-23031-01 | 1000 mm | ±50 |
| GT2321A4-23031-Z5 | 500 mm | ±40 |
| Part No. | Cable Length | Tol. |

GT Contact CO.,LTD

NOTICE OF PROPRIETARY PROPERTY:

THE INFORMATION CONTAINED HEREIN IS THE PROPRIETARY PROPERTY OF GT Contact CO.,LTD THE POSSESSOR AGREES TO THE FOLLOWING:
 (a) TO MAINTAIN THIS DOCUMENT IN CONFIDENCE
 (b) NOT TO REPRODUCE OR COPY IT
 (c) NOT TO REVEAL OR PUBLISH IT IN WHOLE OR PART
 (d) ALL RIGHTS RESERVED

| TITLE | | | | DRAWING NUMBER | | | | REV. | |
|---|------|-------|----------------|-------------------|----------------|-------------------------|-----------------------------|------|-------|
| M8 A-Coding 3A 3P Cable End Without SR Female | | | | GT2321A4-23031-XX | | | | A0 | |
| | B | 2:1 | Joyce 05/11/11 | Lucas 05/11/11 | Ray 05/11/11 | X.X ± 0.5 X.XX ± 0.2 | X.XXX ± 0.05 ANGLES ± 1° | mm | 1/1 |
| THIRD ANGLE PROJECTION | SIZE | SCALE | DRAW / DATE | CHECK / DATE | APPROVE / DATE | TOLERANCES | | UNIT | SHEET |