

1

2

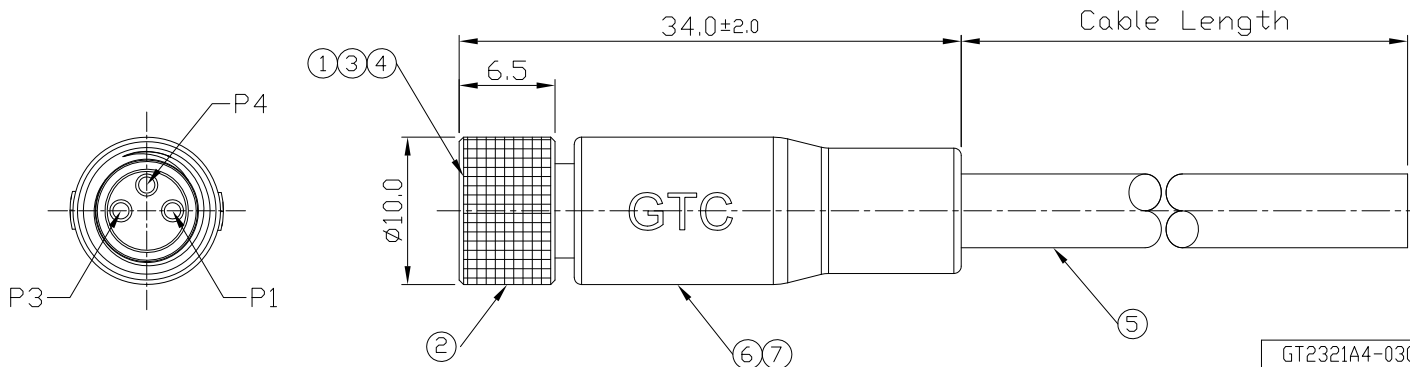
3

4

Notes: (Unless Otherwise Specified)

- 1. Waterproof Rate: IP68.
- 2. Durability: 100 Cycles Min.
- 3. DWV: 1000 Vrms.
- 4. Rated Voltage: 60V AC/DC.
- 5. Insulation Resistance: 100 MΩ Min.
- 6. RoHS Compliant.

| REV | ECN# | DESCRIPTION OF REVISION | DRAW BY DATE | CHECK BY DATE | APPROVE BY DATE |
|-----|------|-------------------------|---------------|----------------|-----------------|
| A0 | | Mass Production | Hank 04/12/18 | Lucas 04/12/18 | Ray 04/12/18 |



| 7 | Over Mold | PVC Color: Black | 1 |
|------|------------|---|------|
| 6 | Inner Mold | Thermoplastic Color: White or Black | 1 |
| 5 | Cable | UL2464 20AWG*3C+D+Al/My+B Color: Black, OD=5.5mm | 1 |
| 4 | O-Ring | NBR Color: Red | 1 |
| 3 | Contacts | Copper Alloy Finish: Au Plated | 3 |
| 2 | Screw Nut | Copper Alloy Finish: Ni Plated | 1 |
| 1 | Housing | Thermoplastic Color: Black | 1 |
| Item | Part Name | Material / Finish | Q'ty |

| | |
|---|-------|
| 1 | Black |
| 3 | Blue |
| 4 | White |

Wiring Diagram



| | | |
|-------------------|--------------|------|
| GT2321A4-03037-10 | 10000mm | +500 |
| GT2321A4-03037-09 | 9000mm | +450 |
| GT2321A4-03037-08 | 8000mm | +400 |
| GT2321A4-03037-07 | 7000mm | +150 |
| GT2321A4-03037-06 | 6000mm | +150 |
| GT2321A4-03037-05 | 5000mm | +150 |
| GT2321A4-03037-04 | 4000mm | +150 |
| GT2321A4-03037-03 | 3000mm | +100 |
| GT2321A4-03037-02 | 2000mm | +100 |
| GT2321A4-03037-01 | 1000mm | +50 |
| GT2321A4-03037-Z9 | 900mm | +50 |
| GT2321A4-03037-Z8 | 800mm | +50 |
| GT2321A4-03037-Z7 | 700mm | +50 |
| GT2321A4-03037-Z6 | 600mm | +50 |
| GT2321A4-03037-Z5 | 500mm | +50 |
| GT2321A4-03037-Z4 | 400mm | +50 |
| GT2321A4-03037-Z3 | 300mm | +25 |
| GT2321A4-03037-Z2 | 200mm | +25 |
| Part No. | Cable Length | Tol. |

GT Contact CO.,LTD

NOTICE OF PROPRIETARY PROPERTY:

THE INFORMATION CONTAINED HEREIN IS THE PROPRIETARY PROPERTY OF GT Contact CO.,LTD THE POSSESSOR AGREES TO THE FOLLOWING

- (1) TO MAINTAIN THIS DOCUMENT IN CONFIDENCE
- (2) NOT TO REPRODUCE OR COPY IT
- (3) NOT TO REVEAL OR PUBLISH IT IN WHOLE OR PART
- (4) ALL RIGHTS RESERVED

| TITLE | | | | | | DRAWING NUMBER | | | REV. |
|---|------|-------|---------------|----------------|----------------|-------------------------|-----------------------------|------|-------|
| M8 A-Coding 3A 3P Cable End Without SR Female | | | | | | GT2321A4-03037-XX | | | A0 |
| | B | 2:1 | Hank 04/12/18 | Lucas 04/12/18 | Ray 04/12/18 | X.X ± 0.5 X.XX ± 0.2 | X.XXX ± 0.05 ANGLES ± 1° | mm | 1/1 |
| THIRD ANGLE PROJECTION | SIZE | SCALE | DRAW / DATE | CHECK / DATE | APPROVE / DATE | TOLERANCES | | UNIT | SHEET |

1

2

3

4