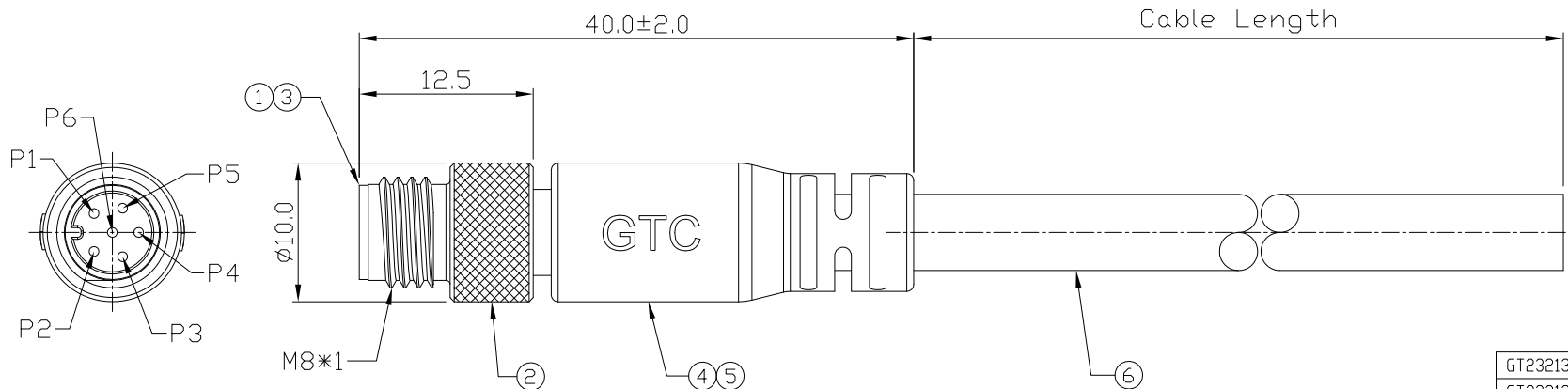


Notes: (Unless Otherwise Specified)

1. Waterproof Rate : IP68.
2. Durability: 100 Cycles Min.
3. DWV: 800 Vrms.
4. Rated Voltage: 30V AC/DC.
5. Insulation Resistance: 100 MΩ Min.
6. RoHS Compliant.

REV	ECN#	DESCRIPTION OF REVISION	DRAW BY DATE	CHECK BY DATE	APPROVE BY DATE
01			Lucas 02/19/19	Lucas 02/19/19	Ray 02/19/19



Item	Part Name	Material / Finish	Q'TY
6	Cable	UL2464 24AWG*6C+Al/My+D Color: Black, OD=5.5mm	1
5	Over Mold	PVC Color: Black	1
4	Inner Mold	Thermoplastic Color: White Or Black	1
3	Contacts	Copper Alloy Finish: Au Plated	6
2	Screw Nut	Copper Alloy Finish: Ni Plated	1
1	Housing	Thermoplastic Color: Black	1

1	Black
2	Brown
3	Red
4	Orange
5	Yellow
6	Green

Wiring Diagram

Part No.	Cable Length	Tol.
GT232134-24061-10	10000 mm	+500
GT232134-24061-09	9000 mm	+450
GT232134-24061-08	8000 mm	+400
GT232134-24061-07	7000 mm	+150
GT232134-24061-06	6000 mm	+150
GT232134-24061-05	5000 mm	+150
GT232134-24061-04	4000 mm	+150
GT232134-24061-03	3000 mm	+100
GT232134-24061-02	2000 mm	+100
GT232134-24061-01	1000 mm	+50
GT232134-24061-Z9	900 mm	+50
GT232134-24061-Z8	800 mm	+50
GT232134-24061-Z7	700 mm	+50
GT232134-24061-Z6	600 mm	+50
GT232134-24061-Z5	500 mm	+50
GT232134-24061-Z4	400 mm	+50
GT232134-24061-Z3	300 mm	+25
GT232134-24061-Z2	200 mm	+25



GT Contact CO.,LTD

NOTICE OF PROPRIETARY PROPERTY:

THE INFORMATION CONTAINED HEREIN IS THE PROPRIETARY PROPERTY OF GT Contact CO.,LTD THE POSSESSOR AGREES TO THE FOLLOWING:
 (a) TO MAINTAIN THIS DOCUMENT IN CONFIDENCE
 (b) NOT TO REPRODUCE OR COPY IT
 (c) NOT TO REVEAL OR PUBLISH IT IN WHOLE OR PART
 (d) ALL RIGHTS RESERVED

TITLE						DRAWING NUMBER			REV.
M8 A-Coding 1.5A 6P Cable End Male With Cable						GT232134-24061-XX			01
THIRD ANGLE PROJECTION	SIZE	SCALE	DRAW / DATE	CHECK / DATE	APPROVE / DATE	TOLERANCES		UNIT	SHEET
	B	1:1	Lucas 02/19/19	Lucas 02/19/19	Ray 02/19/19	X.X ± 0.5 X.XX ± 0.2	X.XXX ± 0.05 ANGLES ± 1°	mm	1/1