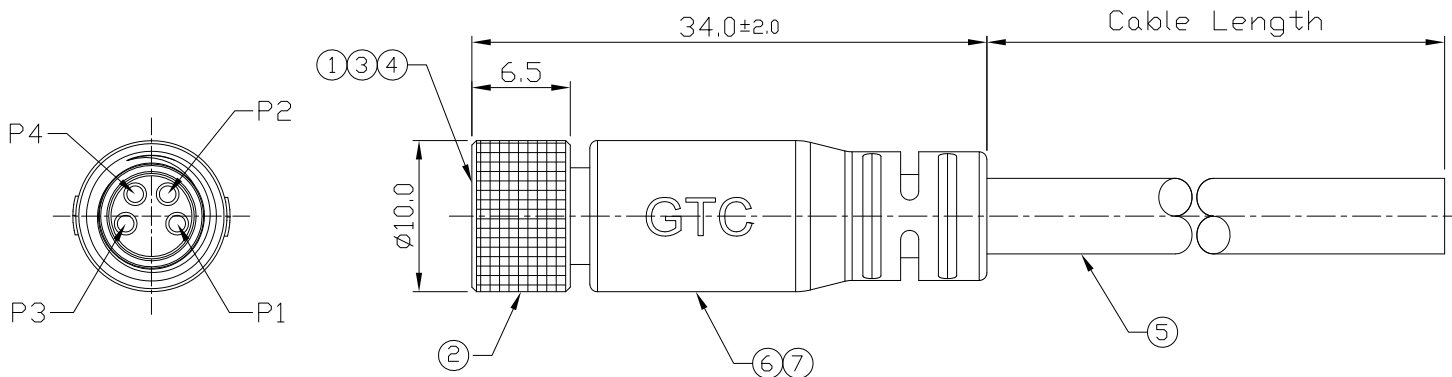


Notes: (Unless Otherwise Specified)

1. Waterproof Rate: IP68.
2. Durability: 100 Cycles Min.
3. DWV: 650 Vrms.
4. Rated Voltage: 60V AC/DC.
5. Insulation Resistance: 100 MΩ Min.
6. RoHS Compliant.

REV	ECN#	DESCRIPTION OF REVISION	DRAW BY DATE	CHECK BY DATE	APPROVE BY DATE
A0		Mass Production	Vicky 10/11/10	Ray 10/11/10	Ray 10/11/10
A1	ECN-110413 ECN-110414	Change Screw Nut, Housing Change O-Ring Material (Silicone -> NBR)	Joyce 03/22/11	Lucas 03/22/11	Ray 03/22/11



7	Over Mold	PVC Color: Black	1
6	Inner Mold	Thermal Plastic Color: White	1
5	Cable	UL2464 22AWG*4C+Talc(UV) Color: Black, OD=5.0±0.2mm	1
4	O-Ring	NBR Color: Red	1
3	Contacts	Copper Alloy Finish: Au Plated	4
2	Screw Nut	Copper Alloy Finish: Ni Plated	1
1	Housing	Thermal Plastic Color: Black	1
Item	Part Name	Material / Finish	Q'ty



1	Black
2	Brown
3	Red
4	Orange

Wiring Diagram

GT232124-23041-10	10000 mm	±500
GT232124-23041-09	9000 mm	±450
GT232124-23041-08	8000 mm	±400
GT232124-23041-07	7000 mm	±350
GT232124-23041-06	6000 mm	±300
GT232124-23041-05	5000 mm	±250
GT232124-23041-04	4000 mm	±200
GT232124-23041-03	3000 mm	±150
GT232124-23041-02	2000 mm	±100
GT232124-23041-01	1000 mm	±50
GT232124-23041-Z5	500 mm	±40
Part No.	Cable Length	Tol.

GT Contact CO.,LTD

NOTICE OF PROPRIETARY PROPERTY:

THE INFORMATION CONTAINED HEREIN IS THE PROPRIETARY PROPERTY OF GT Contact CO.,LTD THE POSSESSOR AGREES TO THE FOLLOWING:
 (a) TO MAINTAIN THIS DOCUMENT IN CONFIDENCE
 (b) NOT TO REPRODUCE OR COPY IT
 (c) NOT TO REVEAL OR PUBLISH IT IN WHOLE OR PART
 (d) ALL RIGHTS RESERVED

TITLE				DRAWING NUMBER				REV.	
M8 A-Coding 3A 4P Cable End Female				GT232124-23041-XX				A1	
	B	2:1	Vicky 10/11/10	Ray 10/11/10	Ray 10/11/10	X.X ± 0.5 X.XX ± 0.2	X.XXX ± 0.05 ANGLES ± 1°	mm	1/1
THIRD ANGLE PROJECTION	SIZE	SCALE	DRAW / DATE	CHECK / DATE	APPROVE / DATE	TOLERANCES		UNIT	SHEET