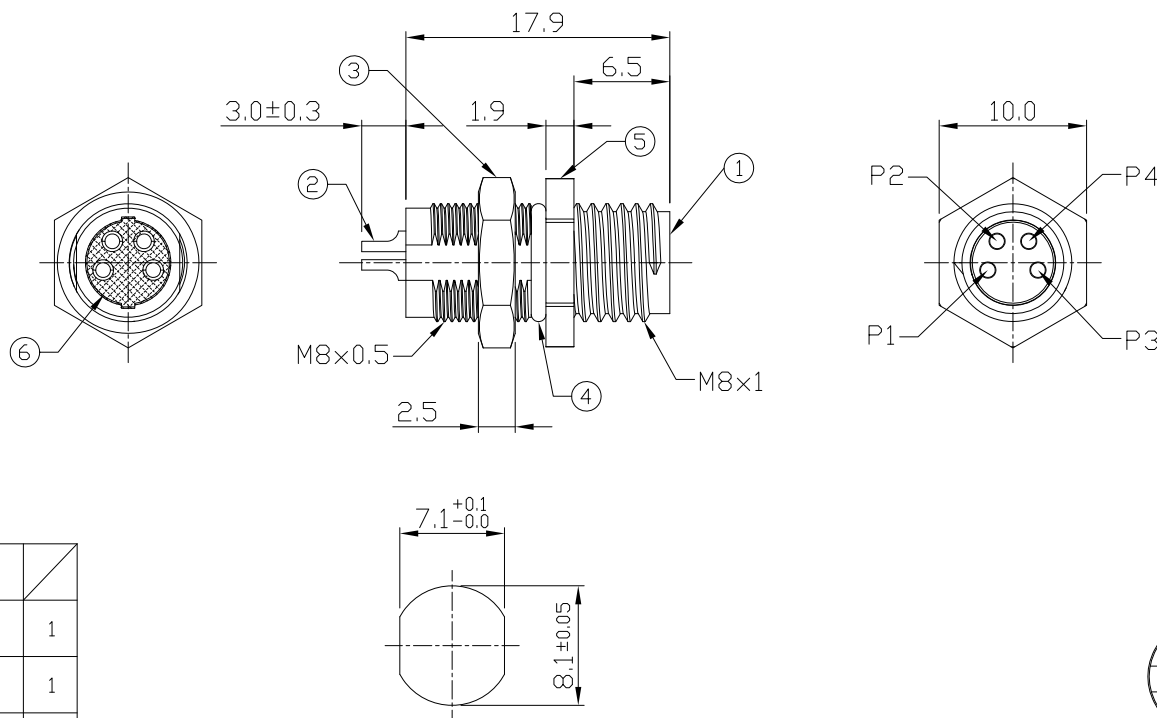


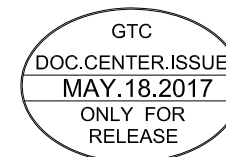
Notes: (Unless Otherwise Specified)

1. Waterproof Rate: IP68.
2. Recommend Panel Thickness: 0.8 To 4.0 mm.
3. Recommend Torque: 9~10 Kgf-cm.
4. Durability: 100 Cycles Min.
5. DWV: 650 Vrms.
6. Rated Voltage: 60V AC/DC.
7. Insulation Resistance: 100 MΩ Min.
8. Mating Cap P/N: GT1C323102.
9. RoHS Compliant.

REV	ECN#	DESCRIPTION OF REVISION	DRAW BY DATE	CHECK BY DATE	APPROVE BY DATE
A0		Mass Production	Joyce 05/11/11	Lucas 05/11/11	Ray 05/11/11



Item	Part Name	Material / Finish	Q'ty
6	Glue	Epoxy Color: Black	
5	Metal Body	Copper Alloy Finish: Ni Plated	1
4	O-Ring	NBR Color: Black	1
3	Hex Nut	Copper Alloy Finish: Ni Plated	1
2	Contacts	Copper Alloy Finish: Au Plated	4
1	Housing	Thermal Plastic Color: Black	1



M8 A-Coding 3A 4P Panel Rear Mount Male Solder						DRAWING NUMBER GT232113-03040		REV. A0	
THIRD ANGLE PROJECTION	SIZE	SCALE	DRAW / DATE	CHECK / DATE	APPROVE / DATE	TOLERANCES	UNIT	SHEET	
	B	2:1	Joyce 05/11/11	Lucas 05/11/11	Ray 05/11/11	X.X ± 0.5 X.XX ± 0.2	mm	X.XXX ± 0.05 ANGLES ± 1°	1/1

GT Contact CO.,LTD

NOTICE OF PROPRIETARY PROPERTY:
THE INFORMATION CONTAINED HEREIN IS THE PROPRIETARY PROPERTY OF GT Contact CO.,LTD THE POSSESSOR AGREES TO THE FOLLOWING:
(i) TO MAINTAIN THIS DOCUMENT IN CONFIDENCE
(ii) NOT TO REPRODUCE OR COPY IT
(iii) NOT TO REVEAL OR PUBLISH IT IN WHOLE OR PART
(iv) ALL RIGHTS RESERVED