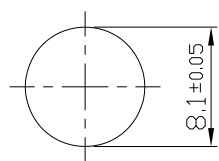


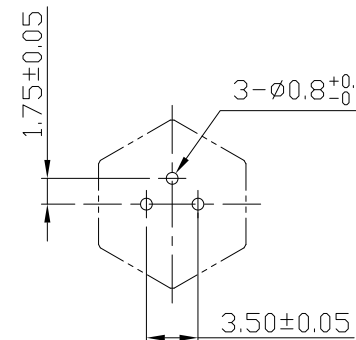
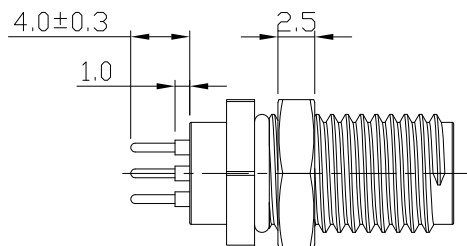
Notes: (Unless Otherwise Specified)

- 1. Waterproof Rate: IP68.
- 2. Recommend Panel Thickness: 0.8 To 4.0 mm.
- 3. Recommend Torque: 6~7 Kgf-cm.
- 4. Durability: 100 Cycles Min.
- 5. DWV: 1000 Vrms.
- 6. Rated Voltage: 60V AC/DC.
- 7. Insulation Resistance: 100 MΩ Min.
- 8. Mating Cap P/N: GT1C323102.
- 9. RoHS Compliant.

REV	ECN#	DESCRIPTION OF REVISION	DRAW BY DATE	CHECK BY DATE	APPROVE BY DATE
A1	ECN-200414	Addition Recommend PCB Layout	Hank 04/14/20	Lucas 04/14/20	Ray 04/14/20

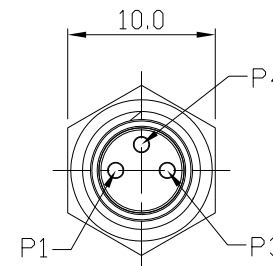
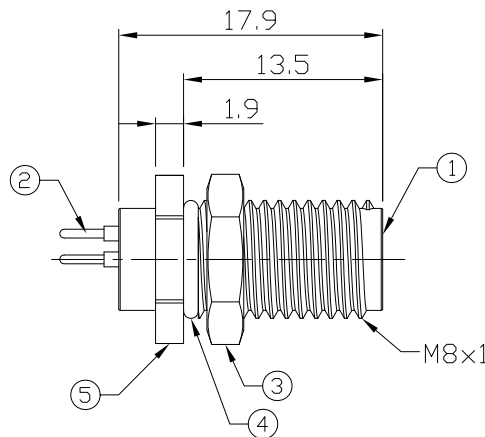
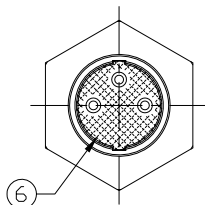


Recommend Panel Cut-Out



Recommend PCB Layout

GTC
DOC.CENTER.ISSUE
APR.15.2020
ONLY FOR
RELEASE



Item	Part Name	Material / Finish	Q'ty
6	Glue	Epoxy Color: Black	
5	Metal Body	Copper Alloy Finish: Ni Plated	1
4	O-Ring	NBR Color: Black	1
3	Hex Nut	Copper Alloy Finish: Ni Plated	1
2	Contacts	Copper Alloy Finish: Au Plated	3
1	Housing	Thermoplastic Color: Black	1

M8 A-Coding 3A 3P Panel Front Mount Male Dip

DRAWING NUMBER
GT232112-13030

REV.
A1

GT Contact CO.,LTD

NOTICE OF PROPRIETARY PROPERTY:
THE INFORMATION CONTAINED HEREIN IS THE PROPRIETARY PROPERTY OF GT Contact CO.,LTD THE POSSESSOR AGREES TO THE FOLLOWING:
(i) TO MAINTAIN THIS DOCUMENT IN CONFIDENCE
(ii) NOT TO REPRODUCE OR COPY IT
(iii) NOT TO REVEAL OR PUBLISH IT IN WHOLE OR PART
(iv) ALL RIGHTS RESERVED

THIRD ANGLE PROJECTION	SIZE	SCALE	DRAW / DATE	CHECK / DATE	APPROVE / DATE	TOLERANCES	UNIT	SHEET
	B	2:1	Joyce 11/07/11	Lucas 11/07/11	Ray 11/07/11	X.X ± 0.5 X.XX ± 0.2	mm	1/1