

1

2

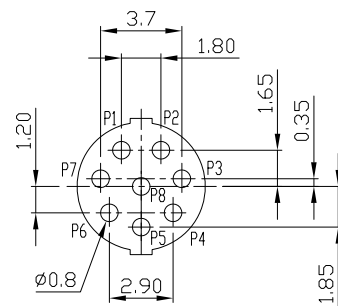
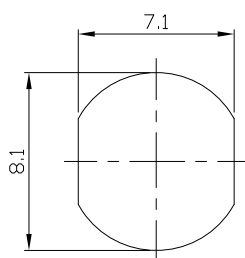
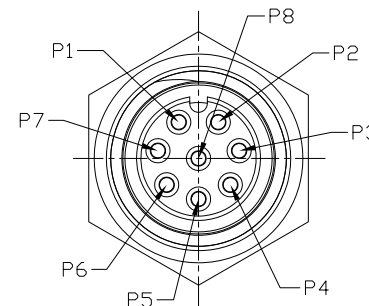
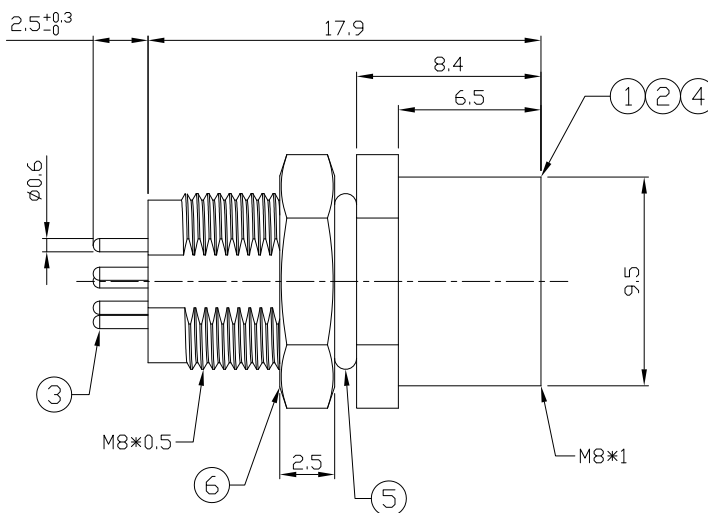
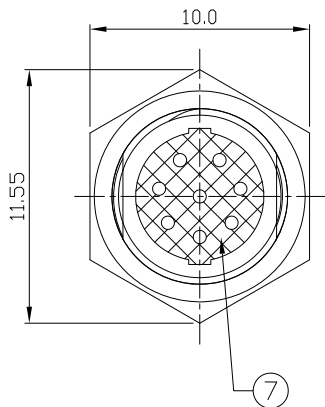
3

4

Notes: (Unless Otherwise Specified)

- 1. Waterproof Rate: IP68.
- 2. Recommend Panel Thickness: 0.8 To 4.0 mm.
- 3. Recommend Torque: 9~10 Kgf-cm.
- 4. Durability: 100 Cycles Min.
- 5. DWV: 800 Vrms.
- 6. Rated Voltage: 30V AC/DC.
- 7. Insulation Resistance: 100 MΩ Min.
- 8. RoHS Compliant.

REV	ECN#	DESCRIPTION OF REVISION	DRAW BY DATE	CHECK BY DATE	APPROVE BY DATE
01			Lucas 02/19/19	Lucas 02/19/19	Ray 02/19/19



GTC  
DOC.CENTER.ISSUE  
FEB.22.2019  
ONLY FOR  
RELEASE

Recommend PCB Layout Component Side

Recommend Panel Cut-Out

Item	Part Name	Material / Finish	Qty
7	Glue	Epoxy Color: Black	
6	Hex Nut	Copper Alloy Finish: Ni Plated	1
5	O-Ring	NBR Color: Black	1
4	O-Ring	NBR Color: Red	1
3	Contacts	Copper Alloy Finish: Au Plated	8
2	Housing	Thermoplastic Color: Black	1
1	Metal Body	Copper Alloy Finish: Ni Plated	1

TITLE M8 A-Coding 1.5A 8P Panel Rear Mount Female Dip						DRAWING NUMBER GT232103-14080			REV. 01	
--	--	--	--	--	--	----------------------------------	--	--	------------	--

THIRD ANGLE PROJECTION	SIZE B	SCALE 1:1	DRAW / DATE Lucas 02/19/19	CHECK / DATE Lucas 02/19/19	APPROVE / DATE Ray 02/19/19	TOLERANCES X.X ± 0.5 X.XX ± 0.2	ANGLES ± 1°	UNIT mm	SHEET 1/1
------------------------	-----------	--------------	-------------------------------	--------------------------------	--------------------------------	---------------------------------------	-------------	------------	--------------

GT Contact CO.,LTD

NOTICE OF PROPRIETARY PROPERTY:  
THE INFORMATION CONTAINED HEREIN IS THE PROPRIETARY PROPERTY OF GT Contact CO.,LTD THE POSSESSOR AGREES TO THE FOLLOWING:  
(a) TO MAINTAIN THIS DOCUMENT IN CONFIDENCE  
(b) NOT TO REPRODUCE OR COPY IT  
(c) NOT TO REVEAL OR PUBLISH IT IN WHOLE OR PART  
(d) ALL RIGHTS RESERVED

1

2

3

4