

1

2

3

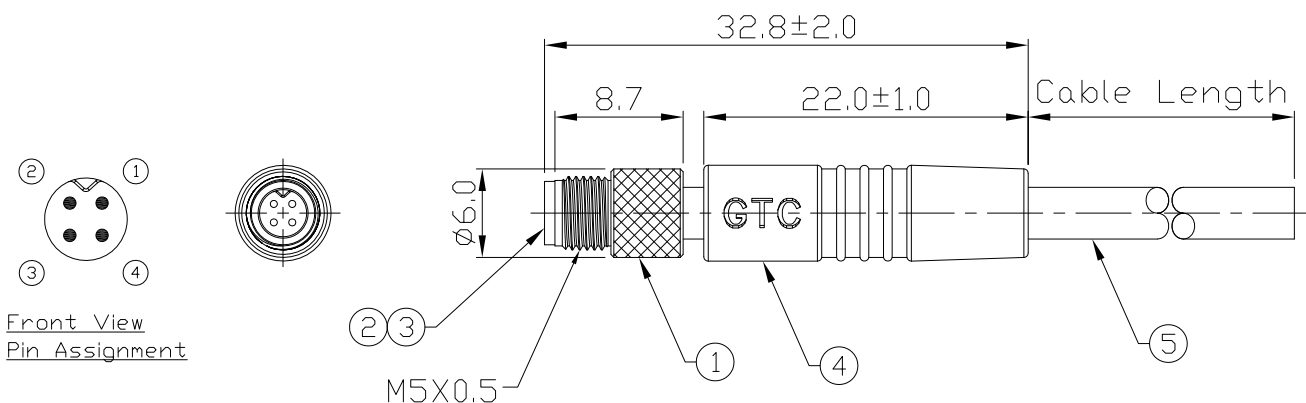
4

Notes: (Unless Otherwise Specified)

- 1. Waterproof Rate: IP67.
- 2. Durability: 100 Cycles Min.
- 3. DWV: 900 Vrms.
- 4. Rated Voltage: 60V AC/DC.
- 5. Insulation Resistance: 100 MΩ Min.
- 6. RoHS Compliant.

REV	ECN#	DESCRIPTION OF REVISION	DRAW BY DATE	CHECK BY DATE	APPROVE BY DATE
01			Edwin 01/07/13	Lucas 01/07/13	Ray 01/07/13

GTC
R&D DEPT. ISSUE
JAN.23.2013
ONLY FOR
RELEASE



GT2311B4-05041-10	10000 mm	+500
GT2311B4-05041-09	9000 mm	+450
GT2311B4-05041-08	8000 mm	+400
GT2311B4-05041-07	7000 mm	+150
GT2311B4-05041-06	6000 mm	+150
GT2311B4-05041-05	5000 mm	+150
GT2311B4-05041-04	4000 mm	+150
GT2311B4-05041-03	3000 mm	+100
GT2311B4-05041-02	2000 mm	+100
GT2311B4-05041-01	1000 mm	+50
GT2311B4-05041-Z9	900 mm	+50
GT2311B4-05041-Z8	800 mm	+50
GT2311B4-05041-Z7	700 mm	+50
GT2311B4-05041-Z6	600 mm	+50
GT2311B4-05041-Z5	500 mm	+50
GT2311B4-05041-Z4	400 mm	+50
GT2311B4-05041-Z3	300 mm	+25
GT2311B4-05041-Z2	200 mm	+25
Part No.	Cable Length	Tol.

- 1 Brown
- 2 White
- 3 Blue
- 4 Black

Wiring Diagram

5	Cable	UL2464 26AWG*4C OD=4.0±0.2mm, Color: Black	1
4	Over Mold	PVC Color: Black	1
3	Contacts	Copper Alloy Finish: Au Plated	4
2	Housing	Thermoplastic Color: Black	1
1	Screw Nut	Copper Alloy Finish: Ni Plated	1
Item	Part Name	Material / Finish	Qty

TITLE						DRAWING NUMBER			REV.
M5 1A 4P Cable End Male						GT2311B4-05041-XX			01
THIRD ANGLE PROJECTION	SIZE	SCALE	DRAW / DATE	CHECK / DATE	APPROVE / DATE	TOLERANCES	UNIT	SHEET	
	B	1:1	Edwin 01/07/13	Lucas 01/07/13	Ray 01/07/13	X.X ± 0.5 X.XX ± 0.2	mm	1/1	
						ANGLES ± 1°			

GT Contact CO.,LTD

NOTICE OF PROPRIETARY PROPERTY:

THE INFORMATION CONTAINED HEREIN IS THE PROPRIETARY PROPERTY OF GT Contact CO.,LTD THE POSSESSOR AGREES TO THE FOLLOWING:

(a) TO MAINTAIN THIS DOCUMENT IN CONFIDENCE
(b) NOT TO REPRODUCE OR COPY IT
(c) NOT TO REVEAL OR PUBLISH IT IN WHOLE OR PART
(d) ALL RIGHTS RESERVED

1

2

3

4