

1


2

3

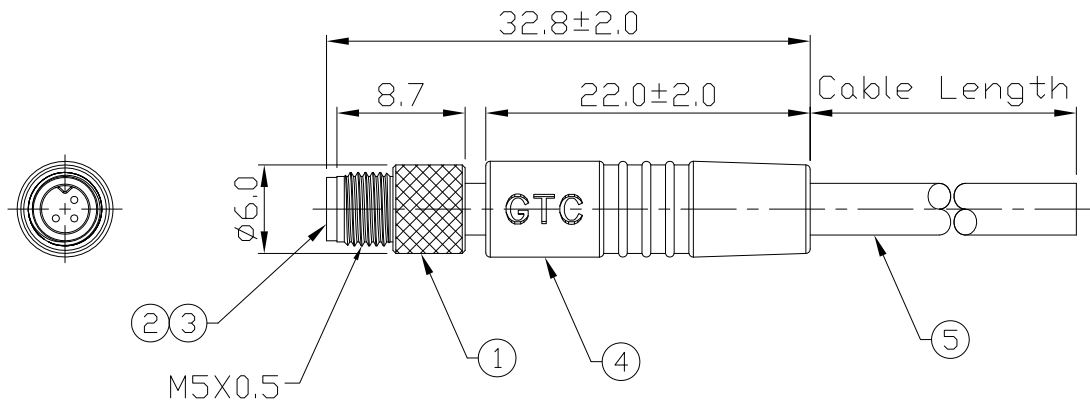
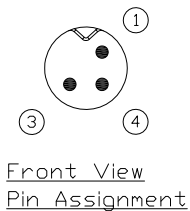
4

Notes: (Unless Otherwise Specified)

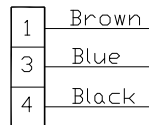
- 1. Waterproof Rate: IP67.
- 2. Durability: 100 Cycles Min.
- 3. DWV: 900 Vrms.
- 4. Rated Voltage: 60V AC/DC.
- 5. Insulation Resistance: 100 MΩ Min.
- 6. RoHS Compliant.

REV	ECN#	DESCRIPTION OF REVISION	DRAW BY DATE	CHECK BY DATE	APPROVE BY DATE
01			Edwin 01/28/13	Lucas 01/28/13	Ray 01/28/13
02	ECN-140725	Modify Over Mold Material (TPE -> TPU) 	Joyce 07/24/14	Lucas 07/24/14	Ray 07/24/14

GTC
R&D DEPT. ISSUE
JUL.24.2014
ONLY FOR
RELEASE

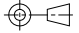


GT2311B4-05038-10	10000 mm	±500
GT2311B4-05038-09	9000 mm	±450
GT2311B4-05038-08	8000 mm	±400
GT2311B4-05038-07	7000 mm	±350
GT2311B4-05038-06	6000 mm	±300
GT2311B4-05038-05	5000 mm	±250
GT2311B4-05038-04	4000 mm	±200
GT2311B4-05038-03	3000 mm	±150
GT2311B4-05038-02	2000 mm	±100
GT2311B4-05038-01	1000 mm	±50
GT2311B4-05038-Z9	900 mm	±40
GT2311B4-05038-Z8	800 mm	±40
GT2311B4-05038-Z7	700 mm	±40
GT2311B4-05038-Z6	600 mm	±40
GT2311B4-05038-Z5	500 mm	±40
GT2311B4-05038-Z4	400 mm	±40
GT2311B4-05038-Z3	300 mm	±40
GT2311B4-05038-Z2	200 mm	±40
Part No.	Cable Length	Tol.



Wiring Diagram

5	Cable	26AWG*3C ,TPU OD=3.4±0.2mm, Color: Black	1
4	Over Mold	TPU Color: Black	1 
3	Contacts	Copper Alloy Finish: Au Plated	3
2	Housing	Thermoplastic Color: Black	1
1	Screw Nut	Copper Alloy Finish: Ni Plated	1
Item	Part Name	Material / Finish	Q'ty

TITLE						DRAWING NUMBER			REV.	
M5 1A 3P Cable End Male						GT2311B4-05038-XX			02	
	B	1:1	Edwin 01/28/13	Lucas 01/28/13	Ray 01/28/13	X.X X.XX	± 0.5 ± 0.2	ANGLES ± 1°	mm	1/1
THIRD ANGLE PROJECTION	SIZE	SCALE	DRAW / DATE	CHECK / DATE	APPROVE / DATE	TOLERANCES		UNIT	SHEET	

GT Contact CO.,LTD

NOTICE OF PROPRIETARY PROPERTY:
THE INFORMATION CONTAINED HEREIN IS THE PROPRIETARY PROPERTY OF GT Contact CO.,LTD THE POSSESSOR AGREES TO THE FOLLOWING:
(a) TO MAINTAIN THIS DOCUMENT IN CONFIDENCE
(b) NOT TO REPRODUCE OR COPY IT
(c) NOT TO REVEAL OR PUBLISH IT IN WHOLE OR PART
(d) ALL RIGHTS RESERVED

1

2

3

4