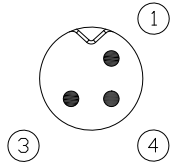


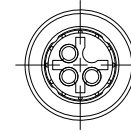
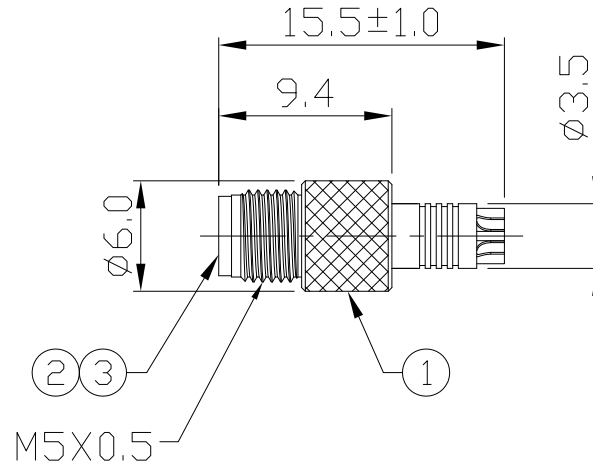
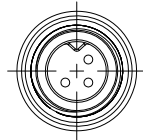
Notes: (Unless Otherwise Specified)

1. RoHS Compliant.

REV	ECN#	DESCRIPTION OF REVISION	DRAW BY DATE	CHECK BY DATE	APPROVE BY DATE
A0		Mass Production	Karen 03/15/16	Lucas 03/15/16	Ray 03/15/16



Front View
Pin Assignment



GTC
DOC.CENTER.ISSUE
MAR.15.2016
ONLY FOR RELEASE
CONFIDENTIAL

Item	Part Name	Material / Finish	Q'ty
3	Contacts	Copper Alloy Finish: Au Plated	3
2	Housing	Thermoplastic Color: Black	1
1	Screw Nut	Copper Alloy Finish: Ni Plated	1

TITLE						DRAWING NUMBER			REV.	
M5 1A 3P Cable End Male W/O Cable						GT2311B4-05030			A0	
	B	1:1	Karen 03/15/16	Lucas 03/15/16	Ray 03/15/16	X.X ± 0.5 X.XX ± 0.2	ANGLES ± 1°	mm	1/1	
THIRD ANGLE PROJECTION	SIZE	SCALE	DRAW / DATE	CHECK / DATE	APPROVE / DATE	TOLERANCES		UNIT	SHEET	

GT Contact CO.,LTD

NOTICE OF PROPRIETARY PROPERTY:
THE INFORMATION CONTAINED HEREIN IS THE PROPRIETARY PROPERTY OF GT Contact CO.,LTD THE POSSESSOR AGREES TO THE FOLLOWING:
(i) TO MAINTAIN THIS DOCUMENT IN CONFIDENCE
(ii) NOT TO REPRODUCE OR COPY IT
(iii) NOT TO REVEAL OR PUBLISH IT IN WHOLE OR PART
(iv) ALL RIGHTS RESERVED