

1

2

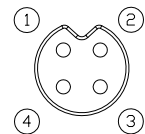
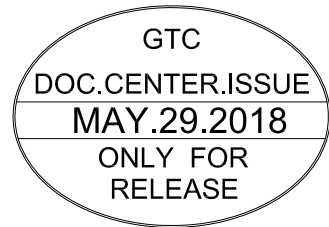
3

4

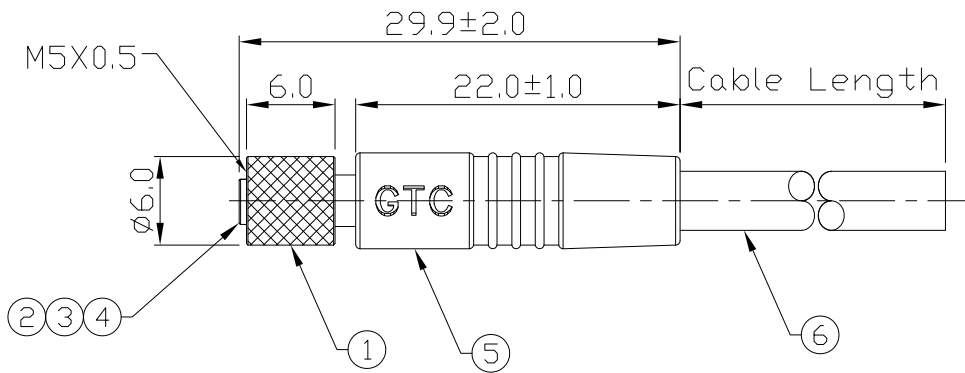
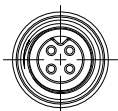
Notes: (Unless Otherwise Specified)

- 1. Waterproof Rate: IP67.
- 2. Durability: 100 Cycles Min.
- 3. DWV: 900 Vrms.
- 4. Rated Voltage: 60V AC/DC.
- 5. Insulation Resistance: 100 MΩ Min.
- 6. RoHS Compliant.

REV	ECN#	DESCRIPTION OF REVISION	DRAW BY DATE	CHECK BY DATE	APPROVE BY DATE
01			Edwin 01/07/13	Lucas 01/07/13	Ray 01/07/13



Front View Pin Assignment



GT2311A4-05041-10	10000 mm	±500
GT2311A4-05041-09	9000 mm	±450
GT2311A4-05041-08	8000 mm	±400
GT2311A4-05041-07	7000 mm	±350
GT2311A4-05041-06	6000 mm	±300
GT2311A4-05041-05	5000 mm	±250
GT2311A4-05041-04	4000 mm	±200
GT2311A4-05041-03	3000 mm	±150
GT2311A4-05041-02	2000 mm	±100
GT2311A4-05041-01	1000 mm	±50
GT2311A4-05041-Z9	900 mm	±40
GT2311A4-05041-Z8	800 mm	±40
GT2311A4-05041-Z7	700 mm	±40
GT2311A4-05041-Z6	600 mm	±40
GT2311A4-05041-Z5	500 mm	±40
GT2311A4-05041-Z4	400 mm	±40
GT2311A4-05041-Z3	300 mm	±40
GT2311A4-05041-Z2	200 mm	±40
Part No.	Cable Length	Tol.

1	Brown
2	White
3	Blue
4	Black

Wiring Diagram

6	Cable	UL2464 26AWG*4C OD=4.0±0.2mm, Color: Black	1
5	Over Mold	PVC Color: Black	1
4	O-Ring	NBR Color: Red	1
3	Contacts	Copper Alloy Finish: Au Plated	4
2	Housing	Thermoplastic Color: Black	1
1	Screw Nut	Copper Alloy Finish: Ni Plated	1
Item	Part Name	Material / Finish	Q'ty

TITLE						DRAWING NUMBER			REV.	
M5 1A 4P Cable End Female						GT2311A4-05041-XX			01	
	B	1:1	Edwin 01/07/13	Lucas 01/07/13	Ray 01/07/13	X.X ± 0.5 X.XX ± 0.2	ANGLES ± 1°	mm	1/1	
THIRD ANGLE PROJECTION	SIZE	SCALE	DRAW / DATE	CHECK / DATE	APPROVE / DATE	TOLERANCES		UNIT	SHEET	

GT Contact CO.,LTD

NOTICE OF PROPRIETARY PROPERTY:
 THE INFORMATION CONTAINED HEREIN IS THE PROPRIETARY PROPERTY OF GT CONTACT CO.,LTD THE POSSESSOR AGREES TO THE FOLLOWING:
 (a) TO MAINTAIN THIS DOCUMENT IN CONFIDENCE
 (b) NOT TO REPRODUCE OR COPY IT
 (c) NOT TO REVEAL OR PUBLISH IT IN WHOLE OR PART
 (d) ALL RIGHTS RESERVED

1

2

3

4