

1

2

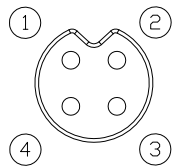
3

4

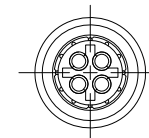
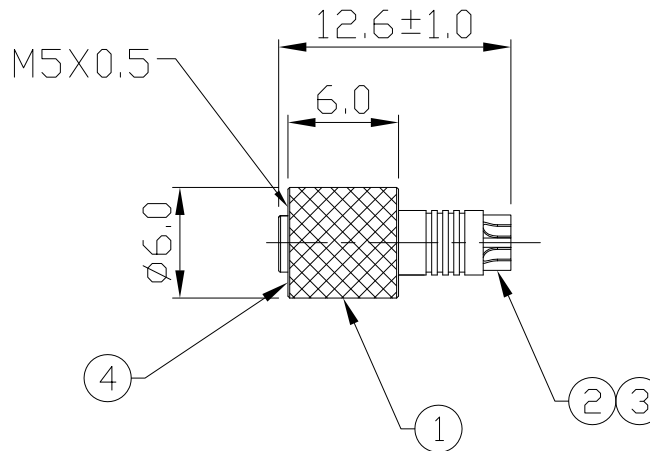
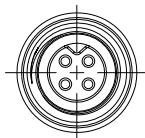
Notes: (Unless Otherwise Specified)

1. RoHS Compliant.

REV	ECN#	DESCRIPTION OF REVISION	DRAW BY DATE	CHECK BY DATE	APPROVE BY DATE
01			Edwin 07/11/13	Lucas 07/11/13	Ray 07/11/13



Front View  
Pin Assignment



GTC  
R&D DEPT. ISSUE  
JUL.12.2013  
ONLY FOR  
RELEASE

4	O-Ring	NBR Color: Red	1
3	Contacts	Copper Alloy Finish: Au Plated	4
2	Housing	Thermoplastic Color: Black	1
1	Screw Nut	Copper Alloy Finish: Ni Plated	1
Item	Part Name	Material / Finish	Q'ty

TITLE						DRAWING NUMBER			REV.	
M5 1A 4P Cable End Female W/O Cable						GT2311A4-05040			01	
	B	1:1	Edwin 07/11/13	Lucas 07/11/13	Ray 07/11/13	X.X X.XX	± 0.5 ± 0.2	ANGLES ± 1°	mm	1/1
THIRD ANGLE PROJECTION	SIZE	SCALE	DRAW / DATE	CHECK / DATE	APPROVE / DATE	TOLERANCES		UNIT	SHEET	

GT Contact CO.,LTD

NOTICE OF PROPRIETARY PROPERTY:  
THE INFORMATION CONTAINED HEREIN IS THE PROPRIETARY PROPERTY OF GT Contact CO.,LTD THE POSSESSOR AGREES TO THE FOLLOWING:  
(i) TO MAINTAIN THIS DOCUMENT IN CONFIDENCE  
(ii) NOT TO REPRODUCE OR COPY IT  
(iii) NOT TO REVEAL OR PUBLISH IT IN WHOLE OR PART  
(iv) ALL RIGHTS RESERVED

1

2

3

4