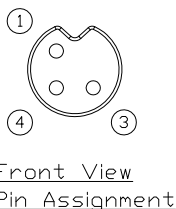
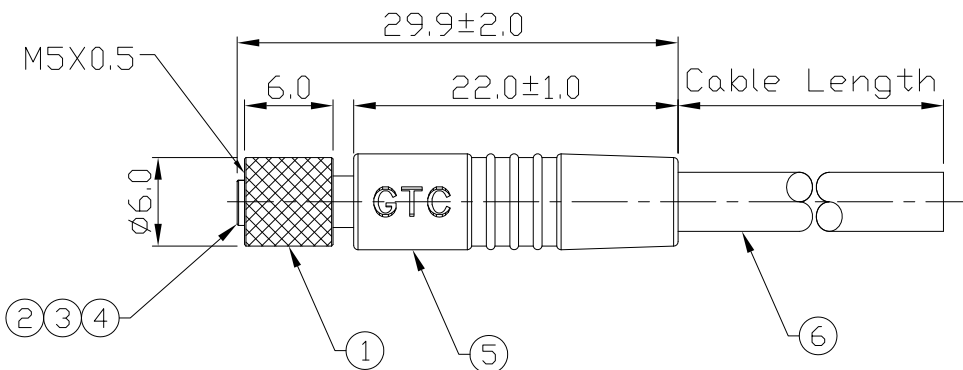


Notes: (Unless Otherwise Specified)

- 1. Waterproof Rate: IP67.
- 2. Durability: 100 Cycles Min.
- 3. DWV: 900 Vrms.
- 4. Rated Voltage: 60V AC/DC.
- 5. Insulation Resistance: 100 MΩ Min.
- 6. RoHS Compliant.

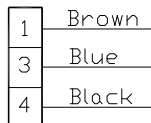
REV	ECN#	DESCRIPTION OF REVISION	DRAW BY DATE	CHECK BY DATE	APPROVE BY DATE
01			Edwin 01/07/13	Lucas 01/07/13	Ray 01/07/13

GTC  
 DOC.CENTER.ISSUE  
 MAY.29.2018  
 ONLY FOR  
 RELEASE



GT2311A4-05031-10	10000 mm	±500
GT2311A4-05031-09	9000 mm	±450
GT2311A4-05031-08	8000 mm	±400
GT2311A4-05031-07	7000 mm	±350
GT2311A4-05031-06	6000 mm	±300
GT2311A4-05031-05	5000 mm	±250
GT2311A4-05031-04	4000 mm	±200
GT2311A4-05031-03	3000 mm	±150
GT2311A4-05031-02	2000 mm	±100
GT2311A4-05031-01	1000 mm	±50
GT2311A4-05031-Z9	900 mm	±40
GT2311A4-05031-Z8	800 mm	±40
GT2311A4-05031-Z7	700 mm	±40
GT2311A4-05031-Z6	600 mm	±40
GT2311A4-05031-Z5	500 mm	±40
GT2311A4-05031-Z4	400 mm	±40
GT2311A4-05031-Z3	300 mm	±40
GT2311A4-05031-Z2	200 mm	±40
Part No.	Cable Length	Tol.

6	Cable	UL2464 26AWG*3C OD=3.9±0.2mm, Color: Black	1
5	Over Mold	PVC Color: Black	1
4	O-Ring	NBR Color: Red	1
3	Contacts	Copper Alloy Finish: Au Plated	3
2	Housing	Thermoplastic Color: Black	1
1	Screw Nut	Copper Alloy Finish: Ni Plated	1
Item	Part Name	Material / Finish	Q'ty



Wiring Diagram

TITLE						DRAWING NUMBER			REV.	
M5 1A 3P Cable End Female						GT2311A4-05031-XX			01	
THIRD ANGLE PROJECTION	SIZE	SCALE	DRAW / DATE	CHECK / DATE	APPROVE / DATE	X.X ± 0.5 X.XX ± 0.2	ANGLES ± 1°	mm	1/1	
					TOLERANCES		UNIT	SHEET		

GT Contact CO.,LTD

NOTICE OF PROPRIETARY PROPERTY:  
 THE INFORMATION CONTAINED HEREIN IS THE PROPRIETARY PROPERTY OF GT Contact CO.,LTD THE POSSESSOR AGREES TO THE FOLLOWING:  
 (a) TO MAINTAIN THIS DOCUMENT IN CONFIDENCE  
 (b) NOT TO REPRODUCE OR COPY IT  
 (c) NOT TO REVEAL OR PUBLISH IT IN WHOLE OR PART  
 (d) ALL RIGHTS RESERVED