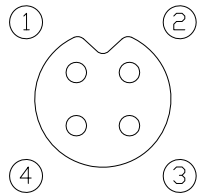


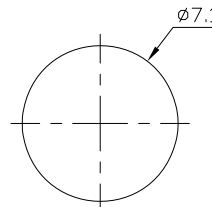
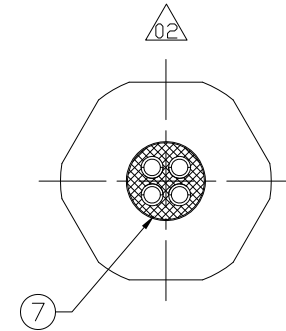
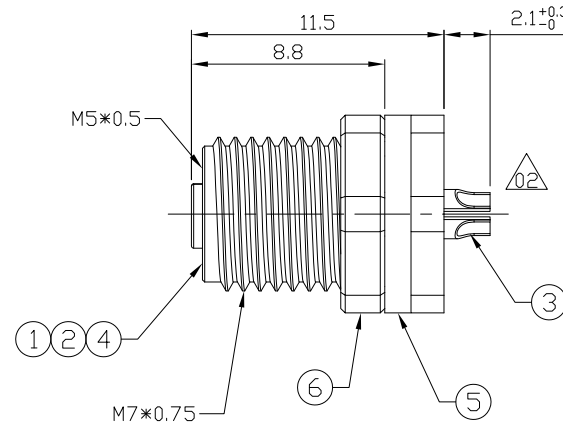
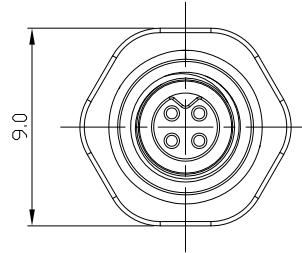
Notes: (Unless Otherwise Specified)

1. Waterproof Rate: IP67.
2. Recommend Panel Thickness: 0.8 To 4.0 mm.
3. Recommend Torque: 5~6 Kgf-cm.
4. Durability: 100 Cycles Min.
5. DWV: 900 Vrms.
6. Rated Voltage: 60V AC/DC.
7. Insulation Resistance: 100 MΩ Min.
8. RoHS Compliant.

REV	ECN#	DESCRIPTION OF REVISION	DRAW BY DATE	CHECK BY DATE	APPROVE BY DATE
02	ECN-230604	Cancel Partition	Jenny 12/22/23	Lucas 12/22/23	Lucas 12/22/23



Front View  
Pin Assignment



Recommend  
Panel Cut-Out

Item	Part Name	Material / Finish	Q'ty
7	Glue	Epoxy Color: Black	
6	Hex Nut	Copper Alloy Finish: Ni Plated	1
5	Gasket	NBR Color: Black	1
4	O-Ring	NBR Color: Red	1
3	Contacts	Copper Alloy Finish: Au Plated	4
2	Housing	Thermoplastic Color: Black	1
1	Metal Body	Copper Alloy Finish: Ni Plated	1



TITLE M5 1A 4P Panel Front Mount Female Solder					DRAWING NUMBER GT231102-05040			REV. 02
---	--	--	--	--	----------------------------------	--	--	------------

THIRD ANGLE PROJECTION	SIZE B	SCALE 1:1	DRAW / DATE Lucas 07/15/19	CHECK / DATE Lucas 07/15/19	APPROVE / DATE Ray 07/15/19	TOLERANCES X.X ± 0.5 X.XX ± 0.2	ANGLES ± 1°	UNIT mm	SHEET 1/1
------------------------	-----------	--------------	-------------------------------	--------------------------------	--------------------------------	---------------------------------------	-------------	------------	--------------

GT Contact CO.,LTD

NOTICE OF PROPRIETARY PROPERTY:  
THE INFORMATION CONTAINED HEREIN IS THE PROPRIETARY PROPERTY OF GT Contact CO.,LTD THE POSSESSOR AGREES TO THE FOLLOWING:  
(a) TO MAINTAIN THIS DOCUMENT IN CONFIDENCE  
(b) NOT TO REPRODUCE OR COPY IT  
(c) NOT TO REVEAL OR PUBLISH IT IN WHOLE OR PART  
(d) ALL RIGHTS RESERVED