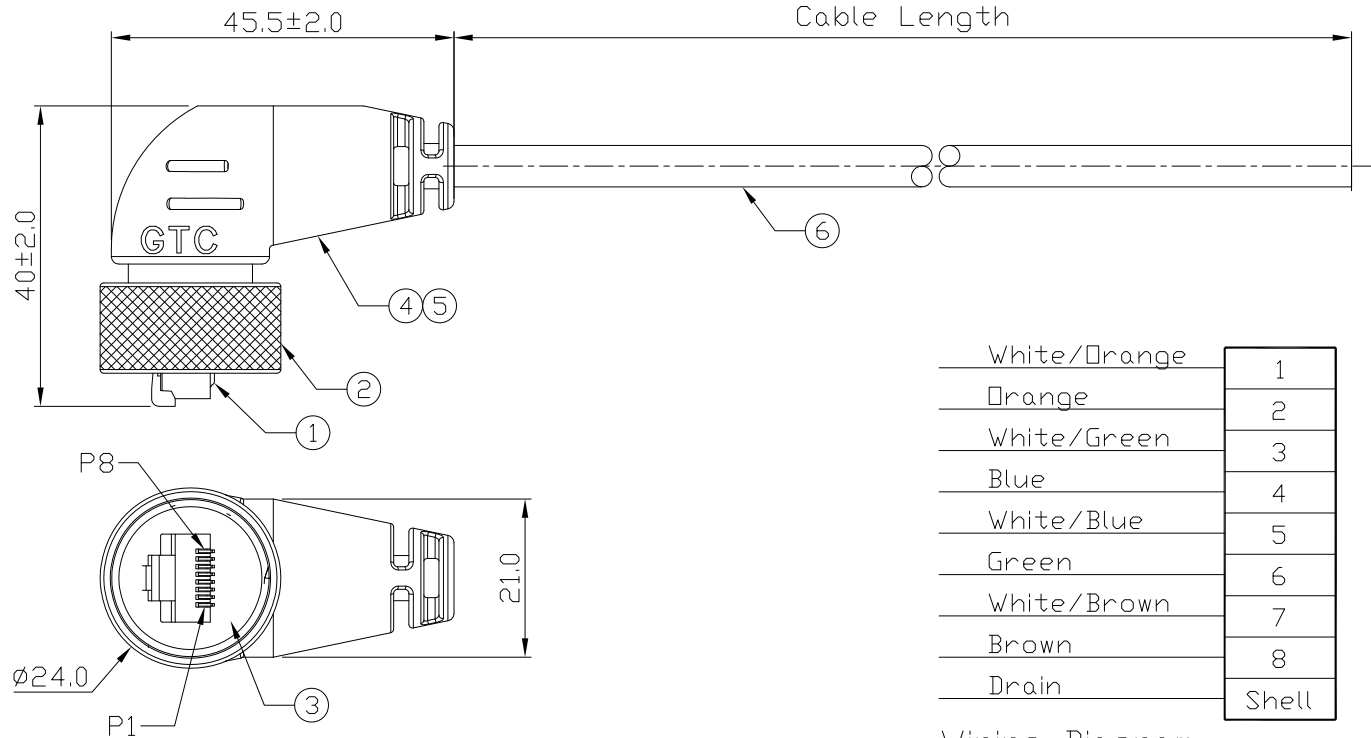


Notes: (Unless Otherwise Specified)

1. Waterproof Rate: IP68
2. RoHS Compliant

REV	ECN#	DESCRIPTION OF REVISION	DRAW BY DATE	CHECK BY DATE	APPROVE BY DATE
01			Viola 11/07/17	Lucas 11/07/17	Ray 11/07/17



GTC  
DOC.CENTER.ISSUE  
NOV.08.2017  
ONLY FOR  
RELEASE

White/Orange	1
Orange	2
White/Green	3
Blue	4
White/Blue	5
Green	6
White/Brown	7
Brown	8
Drain	Shell

Wiring Diagram

GT225525-02-10	10000 mm	+500
GT225525-02-09	9000 mm	+450
GT225525-02-08	8000 mm	+400
GT225525-02-07	7000 mm	+150
GT225525-02-06	6000 mm	+150
GT225525-02-05	5000 mm	+150
GT225525-02-04	4000 mm	+150
GT225525-02-03	3000 mm	+100
GT225525-02-02	2000 mm	+100
GT225525-02-01	1000 mm	+50
GT225525-02-Z9	900 mm	+50
GT225525-02-Z8	800 mm	+50
GT225525-02-Z7	700 mm	+50
GT225525-02-Z6	600 mm	+50
GT225525-02-Z5	500 mm	+50
GT225525-02-Z4	400 mm	+50
GT225525-02-Z3	300 mm	+25
GT225525-02-Z2	200 mm	+25
Part No.	Cable Length	Tol.

3	Rubber Pad	Silicone Color: Black	1	6	Cable	CAT5E 24AWG*4P+AL/My+D Color: Black, DD=6.0mm	1
2	Screw Nut	Copper Alloy Finish: Ni Plated	1	5	Over Mold	PVC Color: Black	1
1	RJ45 Plug	Housing: Thermoplastic, Color: Clear Contacts: Copper Alloy, Finish: Au Plated Shell: Cold Roll Steel, Finish: Ni Plated	1	4	Inner Mold	Thermoplastic Color: Black	1
Item	Part Name	Material / Finish	Q'TY	Item	Part Name	Material / Finish	Q'TY

TITLE						DRAWING NUMBER			REV.
RJ45 Metal C3 Shielded Cable End Plug Screw 90°						GT225525-02-XX			01
	B	1:1	Viola 11/07/17	Lucas 11/07/17	Ray 11/07/17	X.X ± 0.5 X.XX ± 0.2	X.XXX ± 0.05 ANGLES ± 1°	mm	1/1
THIRD ANGLE PROJECTION	SIZE	SCALE	DRAW / DATE	CHECK / DATE	APPROVE / DATE	TOLERANCES		UNIT	SHEET

GT Contact CO.,LTD

NOTICE OF PROPRIETARY PROPERTY:  
THE INFORMATION CONTAINED HEREIN IS THE PROPRIETARY PROPERTY OF GT Contact CO.,LTD THE POSSESSOR AGREES TO THE FOLLOWING:  
(1) TO MAINTAIN THIS DOCUMENT IN CONFIDENCE  
(2) NOT TO REPRODUCE OR COPY IT  
(3) NOT TO REVEAL OR PUBLISH IT IN WHOLE OR PART  
(4) ALL RIGHTS RESERVED