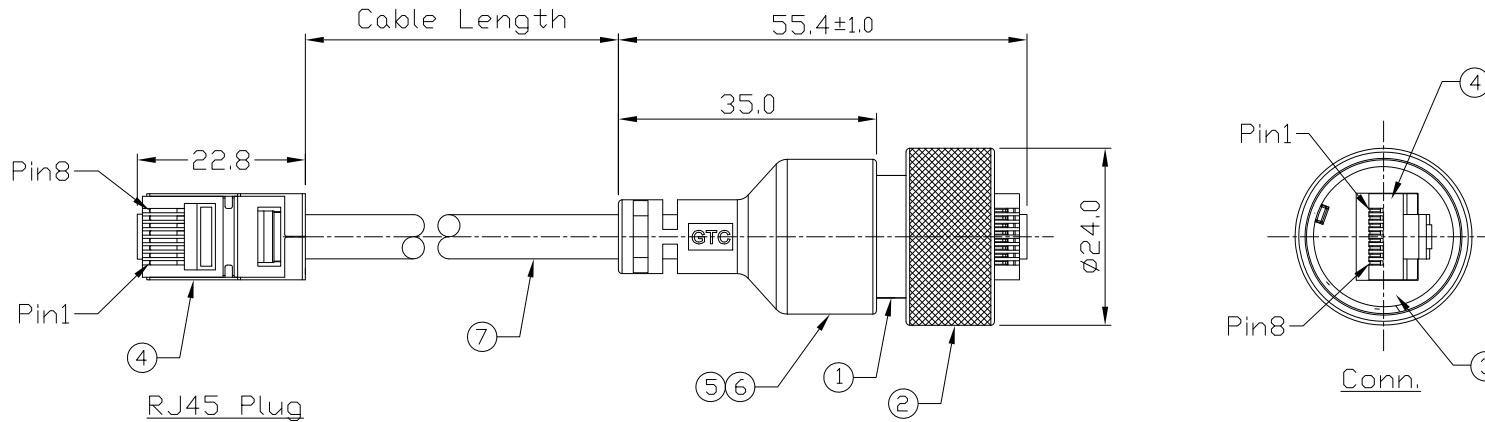


Notes: (Unless Otherwise Specified)
 1. Waterproof Rate: IP68.
 2. RoHS Compliant.

REV	ECN#	DESCRIPTION OF REVISION	DRAW BY DATE	CHECK BY DATE	APPROVE BY DATE
01			Joyce 12/18/14	Lucas 12/18/14	Ray 12/18/14

GTC
 DOC.CENTER.ISSUE
 MAY.04.2023
 ONLY FOR
 RELEASE



Part No.	Cable Length	Tol.
GT225520-06-40	40000 mm	+2000
GT225520-06-30	30000 mm	+1500
GT225520-06-25	25000 mm	+1250
GT225520-06-20	20000 mm	+1000
GT225520-06-15	15000 mm	+750
GT225520-06-10	10000 mm	+500
GT225520-06-09	9000 mm	+450
GT225520-06-08	8000 mm	+400
GT225520-06-07	7000 mm	+150
GT225520-06-06	6000 mm	+150
GT225520-06-05	5000 mm	+150
GT225520-06-04	4000 mm	+150
GT225520-06-03	3000 mm	+150
GT225520-06-02	2000 mm	+100
GT225520-06-01	1000 mm	+50
GT225520-06-Z9	900 mm	+40
GT225520-06-Z8	800 mm	+40
GT225520-06-Z7	700 mm	+40
GT225520-06-Z6	600 mm	+40
GT225520-06-Z5	500 mm	+40
GT225520-06-Z4	400 mm	+20
GT225520-06-Z3	300 mm	+20
GT225520-06-Z2	200 mm	+10



Wiring Diagram

Item	Part Name	Material / Finish	QTY
7	Cable	CAT5E 24AWG*4P+AL/My+D Color: Black, OD=6.0mm	1
6	Over Mold	PVC Color: Black	1
5	Inner Mold	Thermoplastic Color: Black Or White	1
4	RJ45 Plug	Housing: Thermoplastic, Color: Clear Contacts: Copper Alloy, Finish: Au Plated Shell: Cold Roll Steel, Finish: Ni Plated	2
3	Rubber Pad	Silicone Color: Black	1
2	Screw Nut	Copper Alloy Finish: Ni Plated	1
1	Housing	Thermoplastic Color: Black	1

GT Contact CO.,LTD

NOTICE OF PROPRIETARY PROPERTY:
 THE INFORMATION CONTAINED HEREIN IS THE PROPRIETARY PROPERTY OF GT Contact CO.,LTD THE POSSESSOR AGREES TO THE FOLLOWING:
 (A) TO MAINTAIN THIS DOCUMENT IN CONFIDENCE
 (B) NOT TO REPRODUCE OR COPY IT
 (C) NOT TO REVEAL OR PUBLISH IT IN WHOLE OR PART
 (D) ALL RIGHTS RESERVED

TITLE						DRAWING NUMBER			REV.
RJ45 Metal C3 Shielded Cable End Plug Screw With Cable + RJ45 Plug						GT225520-06-XX			01
THIRD ANGLE PROJECTION	SIZE	SCALE	DRAW / DATE	CHECK / DATE	APPROVE / DATE	TOLERANCES	UNIT	SHEET	
DD NOT SCALE DRAWINGS	B	1:1	Joyce 12/18/14	Lucas 12/18/14	Ray 12/18/14	X.X ± 0.5 X.XX ± 0.2	X.XXX ± 0.05 ANGLES ± 1°	mm 1/1	