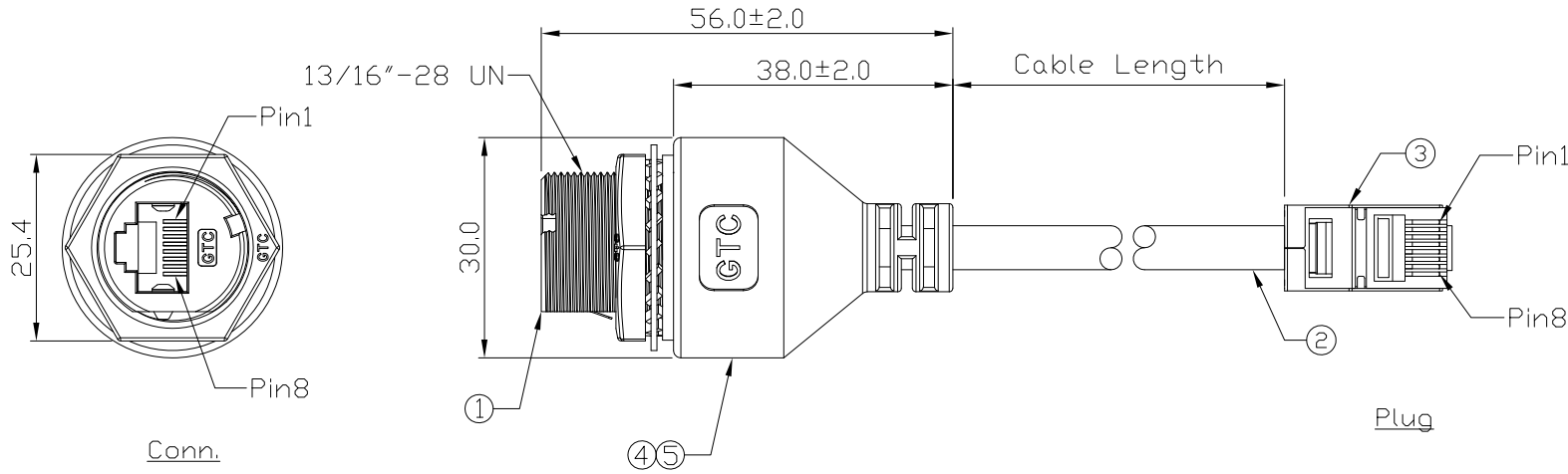


Notes: (Unless Otherwise Specified)

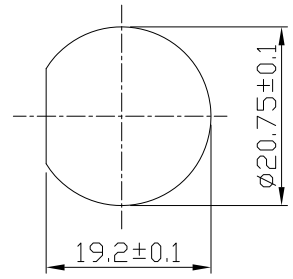
1. Waterproof Rate: IP68.
2. Recommend Panel Thickness: 0.8 to 4.0 mm.
3. Recommend Torque: 14~15 Kgf-cm.
4. Mating Cap P/N: GT2C215012/GT1C5331X2.
5. RoHS Compliant.

REV	ECN#	DESCRIPTION OF REVISION	DRAW BY DATE	CHECK BY DATE	APPROVE BY DATE
02	ECN-160504	Modify Drawing Number: GT225510-03-XX -> GT225510-06-XX	Lucas 05/05/16	Lucas 05/05/16	Ray 05/05/16



GT225510-06-10	10000 mm	+500
GT225510-06-09	9000 mm	+450
GT225510-06-08	8000 mm	+400
GT225510-06-07	7000 mm	+150
GT225510-06-06	6000 mm	+150
GT225510-06-05	5000 mm	+150
GT225510-06-04	4000 mm	+150
GT225510-06-03	3000 mm	+100
GT225510-06-02	2000 mm	+100
GT225510-06-01	1000 mm	+50
GT225510-06-Z9	900 mm	+50
GT225510-06-Z8	800 mm	+50
GT225510-06-Z7	700 mm	+50
GT225510-06-Z6	600 mm	+50
GT225510-06-Z5	500 mm	+50
GT225510-06-Z4	400 mm	+50
GT225510-06-Z3	300 mm	+25
GT225510-06-Z2	200 mm	+25
GT225510-06-Z1	100 mm	+25
Part No.	Cable Length	Tol.

GTC
R&D DEPT. ISSUE
MAY.05.2016
ONLY FOR
RELEASE



Recommend
Panel Cut-Out



Wiring Diagram

5	Over Mold	PVC Color: Black	1
4	Inner Mold	Thermoplastic Color: Black or White	1
3	RJ45 Plug	Housing: Thermoplastic; Color: Clean Contacts: Copper Alloy; Finish: Au Plated Shell: Cold Roll Steel; Finish: Ni Plated	1
2	Cable	CAT5E 24AWG*4P+AU/My+D, DD=6.0mm Color: Black	1
1	RJ45 Metal C3 Cable To Cable	GT Contact GT225510-0X-XX	1
Item	Part Name	Material / Finish	QTY

TITLE						DRAWING NUMBER			REV.
RJ45 Metal C3 Shielded Cable To Cable Jack Screw With Cable + RJ Plug						GT225510-06-XX			02
	B	1:1	Lucas 11/12/14	Lucas 11/12/14	Ray 11/12/14	X.X ± 0.5 X.XX ± 0.2	X.XXX ± 0.05 ANGLES ± 1°	mm	1/1
THIRD ANGLE PROJECTION	SIZE	SCALE	DRAW / DATE	CHECK / DATE	APPROVE / DATE	TOLERANCES		UNIT	SHEET

GT Contact CO.,LTD

NOTICE OF PROPRIETARY PROPERTY:
THE INFORMATION CONTAINED HEREIN IS THE PROPRIETARY PROPERTY OF GT CONTACT CO.,LTD THE POSSESSOR AGREES TO THE FOLLOWING:
(a) TO MAINTAIN THIS DOCUMENT IN CONFIDENCE
(b) NOT TO REPRODUCE OR COPY IT
(c) NOT TO REVEAL OR PUBLISH IT IN WHOLE OR PART
(d) ALL RIGHTS RESERVED