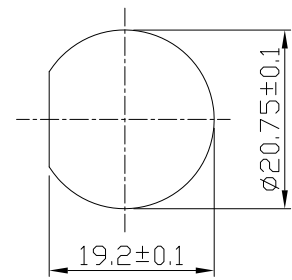
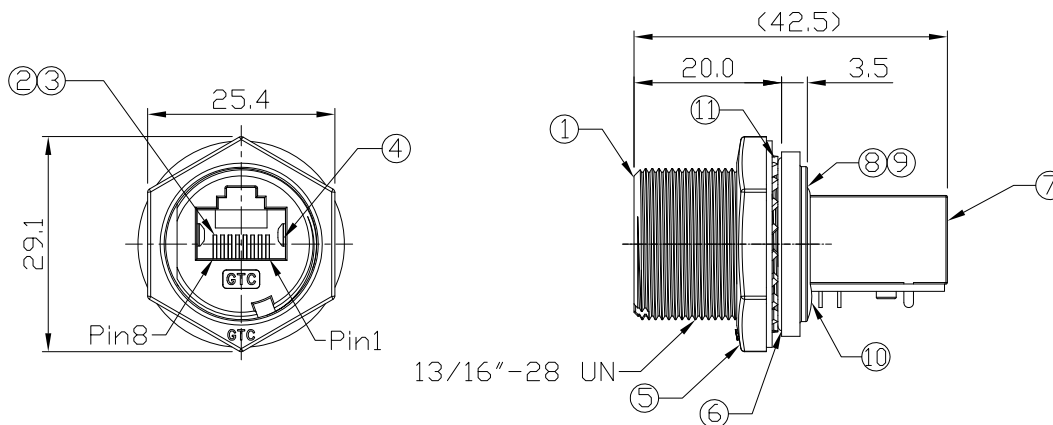


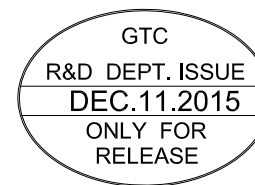
Notes: (Unless Otherwise Specified)

1. Waterproof Rate: IP68.
2. Recommend Panel Thickness: 0.8 to 5.0 mm.
3. Recommend Torque: 19~20 Kgf-cm.
4. Mating Cap P/N: GT2C213012(G).
5. RoHS Compliant.

| REV | ECN# | DESCRIPTION OF REVISION | DRAW BY DATE     | CHECK BY DATE     | APPROVE BY DATE |
|-----|------|-------------------------|------------------|-------------------|-----------------|
| 01  |      |                         | Hank<br>12/09/15 | Lucas<br>12/09/15 | Ray<br>12/09/15 |



Recommend  
Panel Cut-Out



| 11   | Washer             | Stainless<br>Color: Green   | 1    |
|------|--------------------|---|------|
| 10   | Glue               | Epoxy<br>Color: Black   |      |
| 9    | PCB                | FR-4<br>Color: -  | 1    |
| 8    | Holder             | Silicone<br>Color: Black  | 1    |
| 7    | RJ45 Receptacle    | Shell: Copper Alloy; Finish: Ni Plated<br>Housing: Thermoplastic; Color: Black<br>Contacts: Copper Alloy; Finish: Au Plated | 1    |
| 6    | O-Ring             | Silicone<br>Color: Red  | 1    |
| 5    | Hex Nut            | Zn Alloy<br>Color: Green  | 1    |
| 4    | EMI Shielded Plate | Copper Alloy<br>Finish: Ni Plated   | 2    |
| 3    | Holder             | Thermoplastic<br>Color: Black   | 1    |
| 2    | RJ45 Receptacle    | Housing: Thermoplastic; Color: Gray<br>Contacts: Copper Alloy; Finish: Au Plated  | 1    |
| 1    | Housing            | Zn Alloy<br>Color: Green  | 1    |
| Item | Part Name          | Material / Finish   | Q'ty |

| TITLE  |      |       |               |                |                | DRAWING NUMBER          |                             |      | REV.  |
|--|------|-------|---------------|----------------|----------------|-------------------------|-----------------------------|------|-------|
| RJ45 Metal C3 Shielded Panel Jack Screw With RJ45 Jack |      |       |               |                |                | GT225500-30(G)          |                             |      | 01    |
|  | B    | 1:1   | Hank 12/09/15 | Lucas 12/09/15 | Ray 12/09/15   | X.X ± 0.5<br>X.XX ± 0.2 | X.XXX ± 0.05<br>ANGLES ± 1° | mm   | 1/1   |
| THIRD ANGLE PROJECTION                                 | SIZE | SCALE | DRAW / DATE   | CHECK / DATE   | APPROVE / DATE | TOLERANCES              |                             | UNIT | SHEET |

GT Contact CO.,LTD

NOTICE OF PROPRIETARY PROPERTY:  
THE INFORMATION CONTAINED HEREIN IS THE PROPRIETARY PROPERTY OF GT Contact CO.,LTD THE POSSESSOR AGREES TO THE FOLLOWING:  
(a) TO MAINTAIN THIS DOCUMENT IN CONFIDENCE  
(b) NOT TO REPRODUCE OR COPY IT  
(c) NOT TO REVEAL OR PUBLISH IT IN WHOLE OR PART  
(d) ALL RIGHTS RESERVED