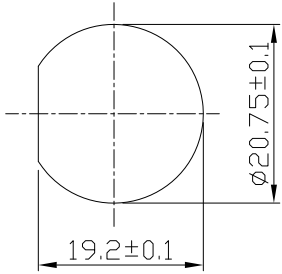


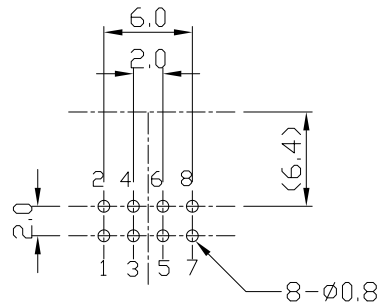
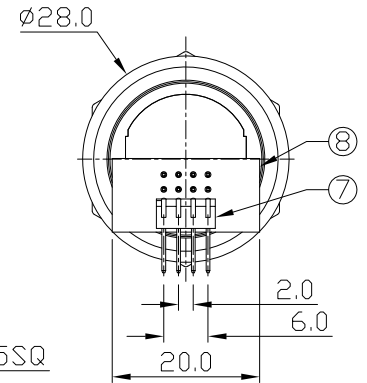
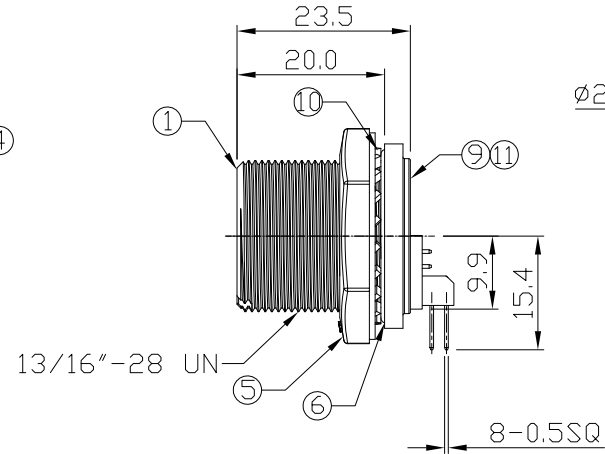
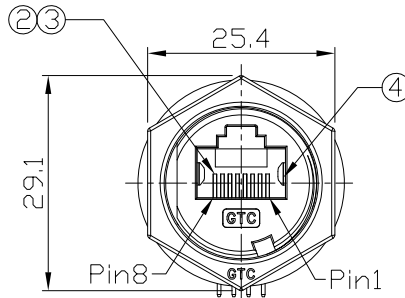
Notes: (Unless Otherwise Specified)

1. Waterproof Rate: IP68.
2. Recommend Panel Thickness: 0.8 to 5.0 mm.
3. Recommend Torque: 19~20 Kgf-cm.
4. Mating Cap P/N: GT2C215012/GT1C5331X2.
5. RoHS Compliant.

REV	ECN#	DESCRIPTION OF REVISION	DRAW BY DATE	CHECK BY DATE	APPROVE BY DATE
A1	ECN-210614	Modify drawing	Lucas 07/23/21	Lucas 07/23/21	Ray 07/23/21

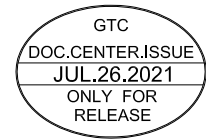
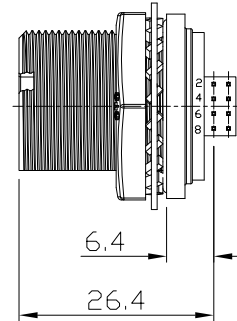


Recommend Panel Cut-Out



Recommend PCB Layout

Scale 2:1



Item	Part Name	Material / Finish	Q'ty
11	Holder	Silicone Color: Black	1
10	Washer	Stainless Finish: —	1
9	Glue	Epoxy Color: Black	
8	PCB	FR-4 Color: -	1
7	Pin Header	Housing: Thermoplastic; Color: Black	2
		Contacts: Copper Alloy; Finish: Au Plated	
6	O-Ring	Silicone Color: Red	1
5	Hex Nut	Zn Alloy Finish: Ni Plated	1
4	EMI Shielded Plate	Copper Alloy Finish: Ni Plated	2
3	Holder	Thermoplastic Color: Black	1
2	RJ45 Receptacle	Housing: Thermoplastic; Color: Gray	1
		Contacts: Copper Alloy; Finish: Au Plated	
1	Housing	Zn Alloy Finish: Ni Plated	1

TITLE						DRAWING NUMBER			REV.
RJ45 Metal C3 Shielded Panel Jack Dip 90° Screw						GT225500-20			A1
DD NOT SCALE DRAWINGS	B	1:1	Joyce 07/26/13	Lucas 07/26/13	Ray 07/26/13	X.X ± 0.5 X.XX ± 0.2	X.XXX ± 0.05 ANGLES ± 1°	mm	1/1
THIRD ANGLE PROJECTION	SIZE	SCALE	DRAW / DATE	CHECK / DATE	APPROVE / DATE	TOLERANCES		UNIT	SHEET

GT Contact CO.,LTD

NOTICE OF PROPRIETARY PROPERTY:  
THE INFORMATION CONTAINED HEREIN IS THE PROPRIETARY PROPERTY OF GT Contact CO.,LTD THE POSSESSOR AGREES TO THE FOLLOWING:  
(a) TO MAINTAIN THIS DOCUMENT IN CONFIDENCE  
(b) NOT TO REPRODUCE OR COPY IT  
(c) NOT TO REVEAL OR PUBLISH IT IN WHOLE OR PART  
(d) ALL RIGHTS RESERVED