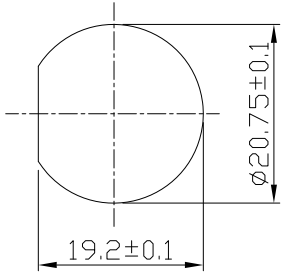


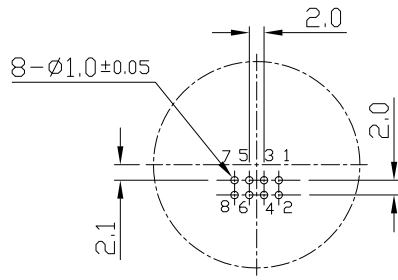
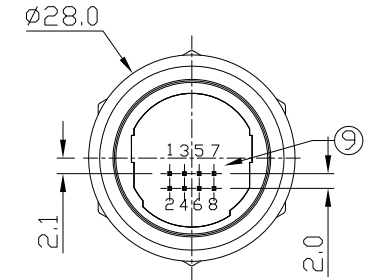
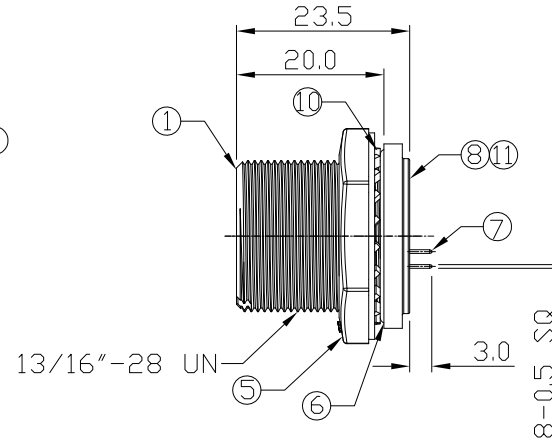
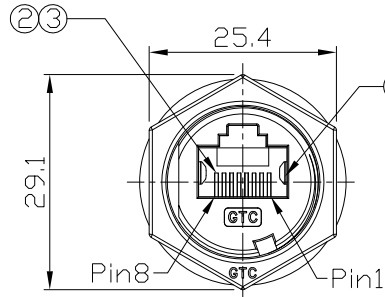
Notes: (Unless Otherwise Specified)

1. Waterproof Rate: IP68.
2. Recommend Panel Thickness: 0.8 to 5.0 mm.
3. Recommend Torque: 19~20 Kgf-cm.
4. Mating Cap P/N: GT2C213012(G).
5. RoHS Compliant.

REV	ECN#	DESCRIPTION OF REVISION	DRAW BY DATE	CHECK BY DATE	APPROVE BY DATE
A0	ECN-210614	Modify drawing	Lucas 07/23/21	Lucas 07/23/21	Ray 07/23/21



Recommend Panel Cut-Out



Recommend PCB Layout

GTC
DOC.CENTER.ISSUE
JUL.26.2021
ONLY FOR
RELEASE

Item	Part Name	Material / Finish	Q'ty
11	Holder	Silicone Color: Black	1
10	Washer	Stainless Color: Green	1
9	Glue	Epoxy Color: Black	
8	PCB	FR-4 Color: -	1
7	Pin Header	Housing: Thermoplastic; Color: Black Contacts: Copper Alloy; Finish: Au Plated	1
6	O-Ring	Silicone Color: Red	1
5	Hex Nut	Zn Alloy Color: Green	1
4	EMI Shielded Plate	Copper Alloy Finish: Ni Plated	2
3	Holder	Thermoplastic Color: Black	1
2	RJ45 Receptacle	Housing: Thermoplastic; Color: Gray Contacts: Copper Alloy; Finish: Au Plated	1
1	Housing	Zn Alloy Color: Green	1

TITLE						DRAWING NUMBER			REV.	
RJ45 Metal C3 Shielded Panel Jack Dip Screw						GT225500-10(G)			A0	
DD NOT SCALE DRAWINGS	B	1:1	Hank 08/07/15	Lucas 08/07/15	Ray 08/07/15	X.X ± 0.5 X.XX ± 0.2	X.XXX ± 0.05 ANGLES ± 1°	mm	1/1	
THIRD ANGLE PROJECTION	SIZE	SCALE	DRAW / DATE	CHECK / DATE	APPROVE / DATE	TOLERANCES		UNIT	SHEET	

GT Contact CO.,LTD

NOTICE OF PROPRIETARY PROPERTY:
THE INFORMATION CONTAINED HEREIN IS THE PROPRIETARY PROPERTY OF GT Contact CO.,LTD THE POSSESSOR AGREES TO THE FOLLOWING:
(a) TO MAINTAIN THIS DOCUMENT IN CONFIDENCE
(b) NOT TO REPRODUCE OR COPY IT
(c) NOT TO REVEAL OR PUBLISH IT IN WHOLE OR PART
(d) ALL RIGHTS RESERVED