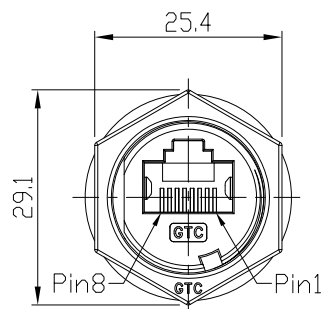


Notes: (Unless Otherwise Specified)

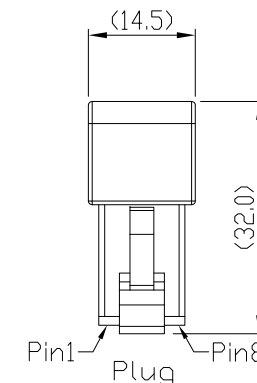
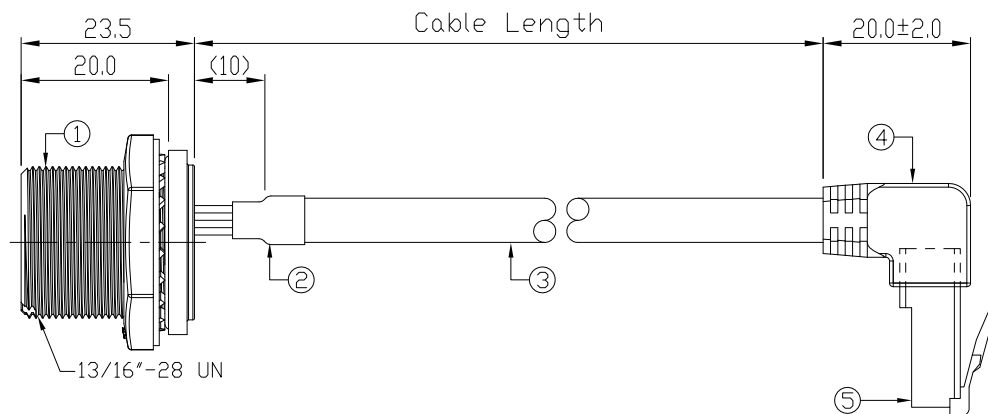
1. Waterproof Rate: IP68.
2. Recommend Panel Thickness: 0.8 To 5.0 mm.
3. Recommend Torque: 19~20 Kgf-cm.
4. Mating Cap P/N: GT2C215012/GT1C5331X2.
5. RoHS Compliant.

REV	ECN#	DESCRIPTION OF REVISION	DRAW BY DATE	CHECK BY DATE	APPROVE BY DATE
01			Aileen 11/16/22	Lucas 11/16/22	Ray 11/16/22

GTC
DOC.CENTER.ISSUE
NOV.17.2022
ONLY FOR
RELEASE



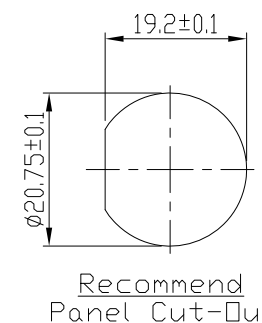
Conn.



Plug



Wiring Diagram



Recommend Panel Cut-Out

Item	Part Name	Material / Finish	Q'ty
5	RJ45 Plug	Housing: Thermoplastic; Color: Clean Contacts: Copper Alloy; Finish: Au Plated Shell: Cold Roll Steel; Finish: Ni Plated	1
4	Over Mold	PVC Color: Black	1
3	Cable	CAT5E 24AWG*4P+AL/My+D OD=6.0mm, Color: Gray	1
2	Shrink Tube	L=20mm Color: Black	1
1	RJ45 Metal C3 Shielded Panel Jack Screw Inside PCB	GT Contact P/N: GT225500-XX	1

GT225500-0U-01	1000 mm	+50
GT225500-0U-Z9	900 mm	+50
GT225500-0U-Z8	800 mm	+50
GT225500-0U-Z7	700 mm	+50
GT225500-0U-Z6	600 mm	+50
GT225500-0U-Z5	500 mm	+50
GT225500-0U-Z4	400 mm	+50
GT225500-0U-Z3	300 mm	+25
GT225500-0U-Z2	200 mm	+25
GT225500-0U-Z1	100 mm	+25
Part No.	Cable Length	Tol.

TITLE						DRAWING NUMBER			REV.
RJ45 Metal C3 Shielded Panel Jack Screw Inside PCB With RJ Plug Right Angle						GT225500-0U-XX			01
THIRD ANGLE PROJECTION	SIZE	SCALE	DRAW / DATE	CHECK / DATE	APPROVE / DATE	TOLERANCES	UNIT	SHEET	
DD NOT SCALE DRAWINGS	B	1/1	Aileen 11/16/22	Lucas 11/16/22	Ray 11/16/22	X.X ± 0.5 X.XX ± 0.2	mm	1/1	
						ANGLES ± 1°			

GT Contact CO.,LTD

NOTICE OF PROPRIETARY PROPERTY:
THE INFORMATION CONTAINED HEREIN IS THE PROPRIETARY PROPERTY OF GT CONTACT CO.,LTD THE POSSESSOR AGREES TO THE FOLLOWING:
(a) TO MAINTAIN THIS DOCUMENT IN CONFIDENCE
(b) NOT TO REPRODUCE OR COPY IT
(c) NOT TO REVEAL OR PUBLISH IT IN WHOLE OR PART
(d) ALL RIGHTS RESERVED