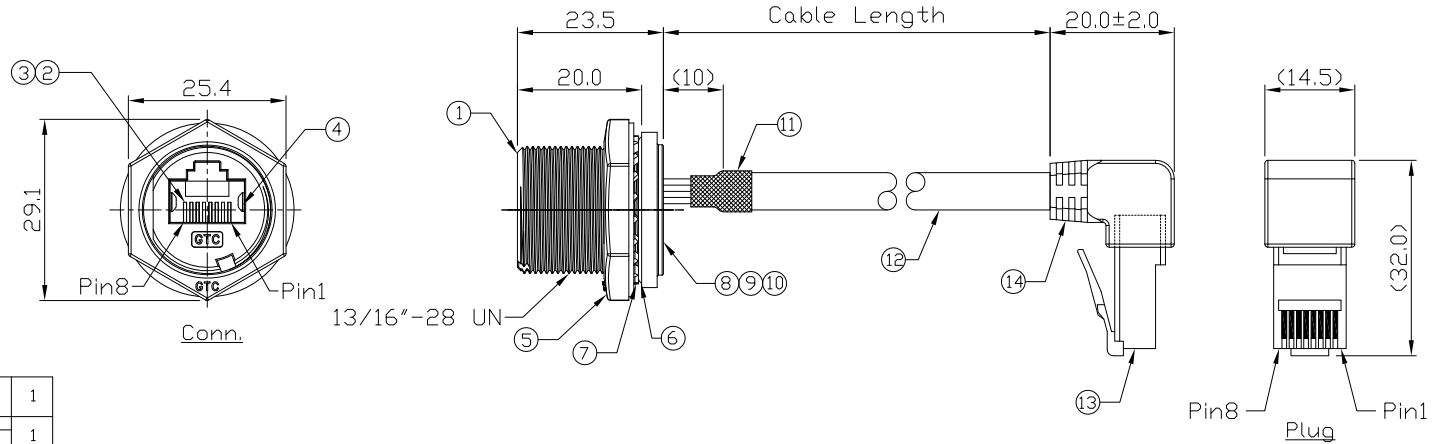


Notes: (Unless Otherwise Specified)

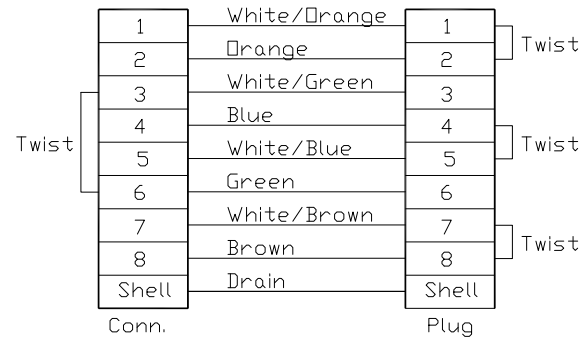
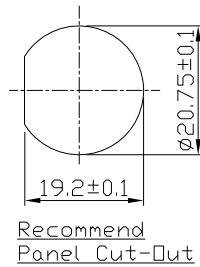
1. Waterproof Rate: IP68.
2. Recommend Panel Thickness: 0.8 to 5.0 mm.
3. Recommend Torque: 19~20 Kgf-cm.
4. Mating Cap P/N: GT2C215012/GT1C5331X2.
5. RoHS Compliant.

REV	ECN#	DESCRIPTION OF REVISION	DRAW BY DATE	CHECK BY DATE	APPROVE BY DATE
02	ECN-230605	Change Cable Color: Black	Jenny 06/06/23	Hank 06/06/23	Lucas 06/06/23

GTC
DOC.CENTER.ISSUE
JUN.08.2023
ONLY FOR
RELEASE



Item	Part Name	Material / Finish	QTY
14	Over Mold	PVC Color: Black	1
13	RJ45 Plug	Housing: Thermoplastic; Color: Clean Contacts: Copper Alloy; Finish: Au Plated Shell: Cold Roll Steel; Finish: Ni Plated	1
12	Cable	CAT5E 24AWG*4P+AI/My+D Color: Black, DD=6.0mm	1
11	Shrink Tube	L=20mm Color: Black	1
10	Glue	Epoxy Color: Black	
9	PCB	FR-4 Color: —	2
8	Pin Header	Housing: Thermoplastic; Color: Black Contacts: Copper Alloy; Finish: Au Plated	1
7	Washer	Stainless Finish: —	1
6	O-Ring	Silicone Color: Red	1
5	Hex Nut	Zn Alloy Finish: Ni Plated	1
4	EMI Shielded Plate	Copper Alloy Finish: Ni Plated	2
3	Holder	Thermoplastic Color: Black	1
2	RJ45 Receptacle	Housing: Thermoplastic; Color: Gray Contacts: Copper Alloy; Finish: Au Plated	1
1	Housing	Zn Alloy Finish: Ni Plated	1



Part No.	Cable Length	Tol.
GT225500-0R-01	1000 mm	+50
GT225500-0R-Z9	900 mm	+50
GT225500-0R-Z8	800 mm	+50
GT225500-0R-Z7	700 mm	+50
GT225500-0R-Z6	600 mm	+50
GT225500-0R-Z5	500 mm	+50
GT225500-0R-Z4	400 mm	+50
GT225500-0R-Z3	300 mm	+25
GT225500-0R-Z2	200 mm	+25
GT225500-0R-Z1	100 mm	+25

GT Contact CO.,LTD

NOTICE OF PROPRIETARY PROPERTY:
THE INFORMATION CONTAINED HEREIN IS THE PROPRIETARY PROPERTY OF GT CONTACT CO.,LTD THE POSSESSOR AGREES TO THE FOLLOWING:
(A) TO MAINTAIN THIS DOCUMENT IN CONFIDENCE
(B) NOT TO REPRODUCE OR COPY IT
(C) NOT TO REVEAL OR PUBLISH IT IN WHOLE OR PART
(D) ALL RIGHTS RESERVED

TITLE						DRAWING NUMBER			REV.
RJ45 Metal C3 Shielded Panel Jack Screw Inside PCB + RJ Angle Plug						GT225500-0R-XX			02
DD NOT SCALE DRAWINGS	B	1:1	Jenny 05/04/23	Hank 05/04/23	Lucas 05/04/23	X.X ± 0.5 X.XX ± 0.2	X.XXX ± 0.05 ANGLES ± 1°	mm	1/1
THIRD ANGLE PROJECTION	SIZE	SCALE	DRAW / DATE	CHECK / DATE	APPROVE / DATE	TOLERANCES		UNIT	SHEET