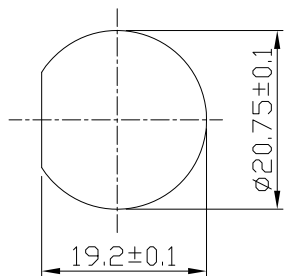


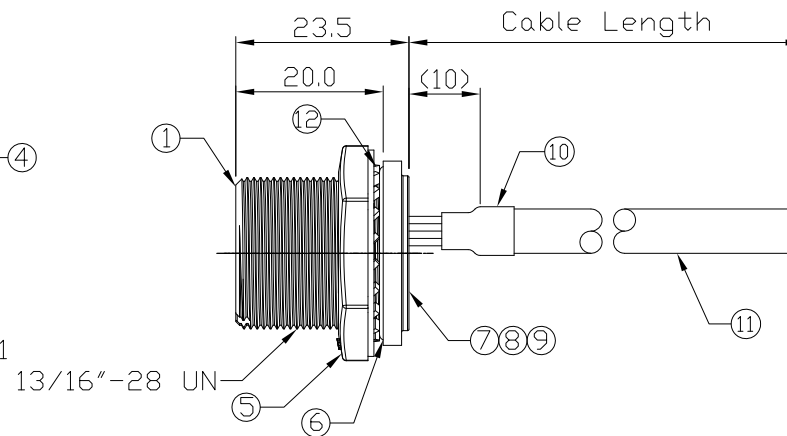
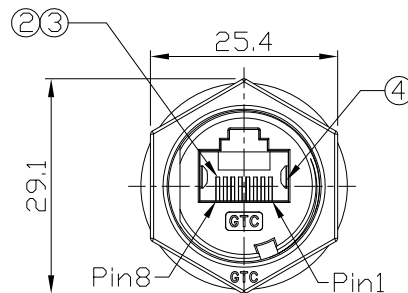
Notes: (Unless Otherwise Specified)

1. Waterproof Rate: IP68.
2. Recommend Panel Thickness: 0.8 to 5.0 mm.
3. Recommend Torque: 19~20 Kgf-cm.
4. Mating Cap P/N: GT2C215012/GT1C5331X2.
5. RoHS Compliant.

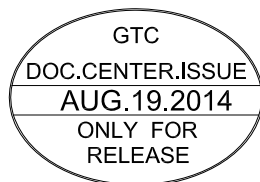
REV	ECN#	DESCRIPTION OF REVISION	DRAW BY DATE	CHECK BY DATE	APPROVE BY DATE
A0		Mass Production	Joyce 03/14/14	Lucas 03/14/14	Ray 03/14/14
A1	ECN-140805	Modify Item 10, Shrink Tube L=10mm to 20mm $\Delta 1$	Joyce 08/07/14	Lucas 08/07/14	Ray 08/07/14



Recommend Panel Cut-Out



12	Washer	Stainless Finish: —	1
11	Cable	CAT5E 24AWG*4P+AI/MyD Color: Gray, OD=6.0mm	1
10	Shrink Tube	L=20mm Color: Black	1 $\Delta 1$
9	Glue	Epoxy Color: Black	
8	PCB	FR-4 Color: —	2
7	Pin Header	Housing: Thermoplastic; Color: Black Contacts: Copper Alloy; Finish: Au Plated	1
6	O-Ring	Silicone Color: Red	1
5	Hex Nut	Zn Alloy Finish: Ni Plated	1
4	EMI Shielded Plate	Copper Alloy Finish: Ni Plated	2
3	Holder	Thermoplastic Color: Black	1
2	RJ45 Receptacle	Housing: Thermoplastic; Color: Gray Contacts: Copper Alloy; Finish: Au Plated	1
1	Housing	Zn Alloy Finish: Ni Plated	1
Item	Part Name	Material / Finish	QTY



Wiring Diagram

GT225500-09-01	1000 mm	±50
GT225500-09-Z9	900 mm	±40
GT225500-09-Z8	800 mm	±40
GT225500-09-Z7	700 mm	±40
GT225500-09-Z6	600 mm	±40
GT225500-09-Z5	500 mm	±40
GT225500-09-Z4	400 mm	±20
GT225500-09-Z3	300 mm	±20
GT225500-09-Z2	200 mm	±10
GT225500-09-Z1	100 mm	±10
Part No.	Cable Length	Tol.

GT Contact CO.,LTD

NOTICE OF PROPRIETARY PROPERTY:

THE INFORMATION CONTAINED HEREIN IS THE PROPRIETARY PROPERTY OF GT Contact CO.,LTD THE POSSESSOR AGREES TO THE FOLLOWING:
 (1) TO MAINTAIN THIS DOCUMENT IN CONFIDENCE
 (2) NOT TO REPRODUCE OR COPY IT
 (3) NOT TO REVEAL OR PUBLISH IT IN WHOLE OR PART
 (4) ALL RIGHTS RESERVED

TITLE						DRAWING NUMBER			REV.	
RJ45 Metal C3 Shielded Panel Jack Screw Inside PCB With Cable						GT225500-09-XX			A1	
	B	1:1	Joyce 03/14/14	Lucas 03/14/14	Ray 03/14/14	X.X ± 0.5 X.XX ± 0.2	X.XXX ± 0.05 ANGLES ± 1°	mm	1/1	
THIRD ANGLE PROJECTION	SIZE	SCALE	DRAW / DATE	CHECK / DATE	APPROVE / DATE	TOLERANCES		UNIT	SHEET	