

1

2

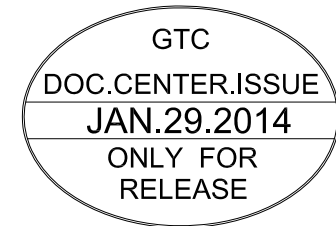
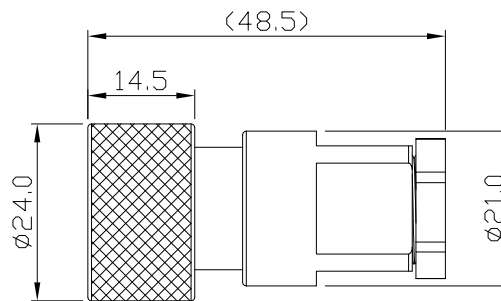
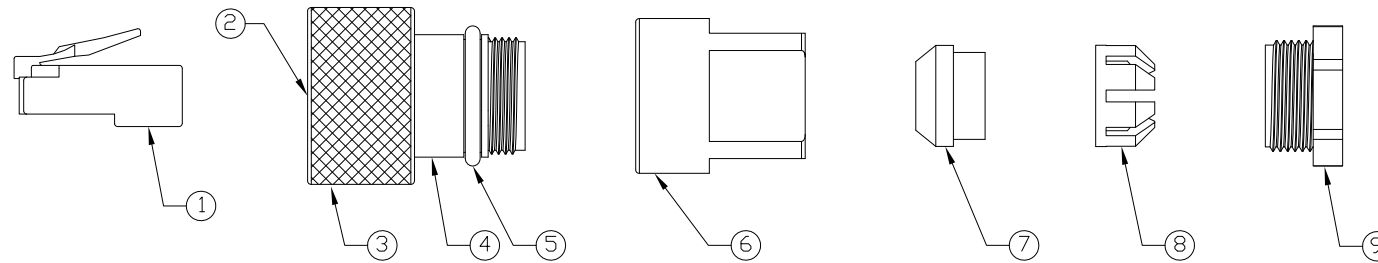
3

4

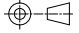
Notes: (Unless Otherwise Specified)

1. Waterproof Rate: IP68.
2. Cable Diameter: 5.0 to 6.0 mm
3. Recommend Cover Torque: 6.0 to 7.0 Kgf-cm.
4. Recommend Gland Nut Torque: 9.0 to 10.0 Kgf-cm.
4. Matting No.: GT225200/GT225500 Series.
5. RoHS Compliant.

REV	ECN#	DESCRIPTION OF REVISION	DRAW BY DATE	CHECK BY DATE	APPROVE BY DATE
A0	ECN-140113	Mass Production	Joyce 01/29/14	Lucas 01/29/14	Ray 01/29/14



Item	Part Name	Material / Finish	Qty
9	Metal Gland Nut	Copper Alloy Finish: Ni Plated	1
8	Cage	Thermoplastic Color: White	1
7	Gland	Silicone Color: Green	1
6	Metal Cover	Copper Alloy Finish: Ni Plated	1
5	O-Ring	Silicone Color: Red	1
4	Housing	Thermoplastic Color: Black	1
3	Metal Screw Nut	Copper Alloy Finish: Ni Plated	1
2	Rubber Pad	Silicone Color: Black	1
1	RJ45 Plug	Housing: Thermoplastic, Color: Clean Contacts: Copper Alloy, Finish: Au Plated Shell: SPCC, Finish: Ni Plated	1

TITLE						DRAWING NUMBER			REV.
RJ45 Full Metal C3 Shielded Field Installable Cable End Screw						GT225370-00			A0
THIRD ANGLE PROJECTION	SIZE	SCALE	DRAW / DATE	CHECK / DATE	APPROVE / DATE	TOLERANCES		SHEET	
	B	1:1	Joyce 01/29/14	Lucas 01/29/14	Ray 01/29/14	X.X ± 0.5 X.XX ± 0.2	X.XXX ± 0.05 ANGLES ± 1°	mm 1/1	

GT Contact CO.,LTD

NOTICE OF PROPRIETARY PROPERTY:
THE INFORMATION CONTAINED HEREIN IS THE PROPRIETARY PROPERTY OF GT Contact CO.,LTD THE POSSESSOR AGREES TO THE FOLLOWING:
(a) TO MAINTAIN THIS DOCUMENT IN CONFIDENCE
(b) NOT TO REPRODUCE OR COPY IT
(c) NOT TO REVEAL OR PUBLISH IT IN WHOLE OR PART
(d) ALL RIGHTS RESERVED

1

2

3

4