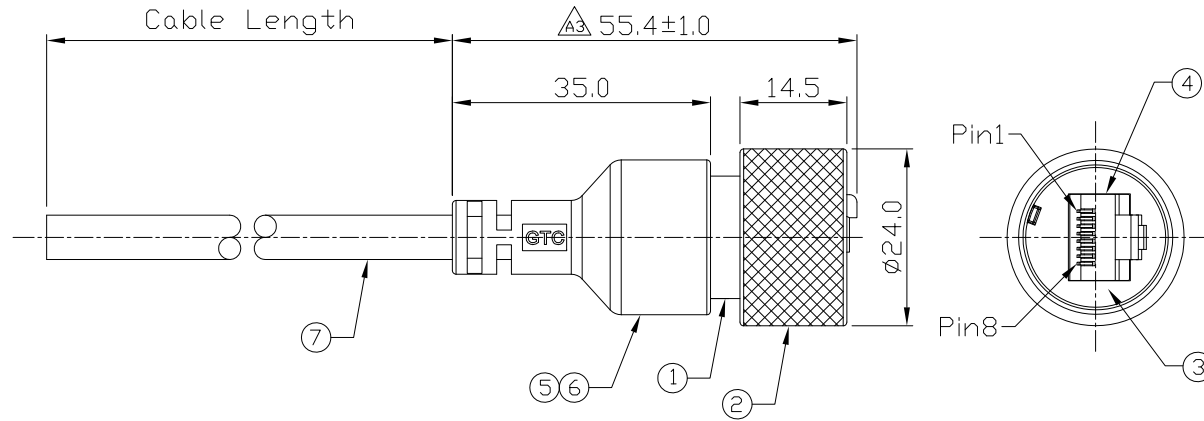


Notes: (Unless Otherwise Specified)
 1. Waterproof Rate: IP68.
 2. RoHS Compliant.

REV	ECN#	DESCRIPTION OF REVISION	DRAW BY DATE	CHECK BY DATE	APPROVE BY DATE
A3	ECN-221105	Modify 54±1.0mm → 55.4±1.0mm	Jenny 11/15/22	Lucas 11/15/22	Ray 11/15/22



GTC
 DOC.CENTER ISSUE
 NOV.16.2022
 ONLY FOR
 RELEASE

GT225320-02-10	10000 mm	±500
GT225320-02-09	9000 mm	±450
GT225320-02-08	8000 mm	±400
GT225320-02-07	7000 mm	±350
GT225320-02-06	6000 mm	±300
GT225320-02-05	5000 mm	±250
GT225320-02-04	4000 mm	±200
GT225320-02-03	3000 mm	±150
GT225320-02-02	2000 mm	±100
GT225320-02-01	1000 mm	±50
GT225320-02-Z9	900 mm	±40
GT225320-02-Z8	800 mm	±40
GT225320-02-Z7	700 mm	±40
GT225320-02-Z6	600 mm	±40
GT225320-02-Z5	500 mm	±40
GT225320-02-Z4	400 mm	±20
GT225320-02-Z3	300 mm	±10
GT225320-02-Z2	200 mm	±10
Part No.	Cable Length	Tol.

1	White/Orange
2	Orange
3	White/Green
4	Blue
5	White/Blue
6	Green
7	White/Brown
8	Brown
Shell	Drain

Wiring Diagram

Item	Part Name	Material / Finish	QTY
7	Cable	CAT5E 24AWG*4P+AL/My+D Color: Black, OD=6.0mm	1
6	Over Mold	PVC Color: Black	1
5	Inner Mold	Thermoplastic Color: Black Or White	1
4	RJ45 Plug	Housing: Thermoplastic, Color: Clean Contacts: Copper Alloy, Finish: Au Plated	1
3	Rubber Pad	Silicone Color: Black	1
2	Screw Nut	Copper Alloy Finish: Ni Plated	1
1	Housing	Thermoplastic Color: Black	1

TITLE						DRAWING NUMBER			REV.	
RJ45 Metal C3 Shielded Cable End Plug Screw						GT225320-02-XX			A3	
THIRD ANGLE PROJECTION	SIZE	SCALE	DRAW / DATE	CHECK / DATE	APPROVE / DATE	X.X ± 0.5 X.XX ± 0.2	X.XXX ± 0.05 ANGLES ± 1°	mm	1/1	SHEET

GT Contact CO.,LTD

NOTICE OF PROPRIETARY PROPERTY:
 THE INFORMATION CONTAINED HEREIN IS THE PROPRIETARY PROPERTY OF GT Contact CO.,LTD THE POSSESSOR AGREES TO THE FOLLOWING:
 (A) TO MAINTAIN THIS DOCUMENT IN CONFIDENCE
 (B) NOT TO REPRODUCE OR COPY IT
 (C) NOT TO REVEAL OR PUBLISH IT IN WHOLE OR PART
 (D) ALL RIGHTS RESERVED