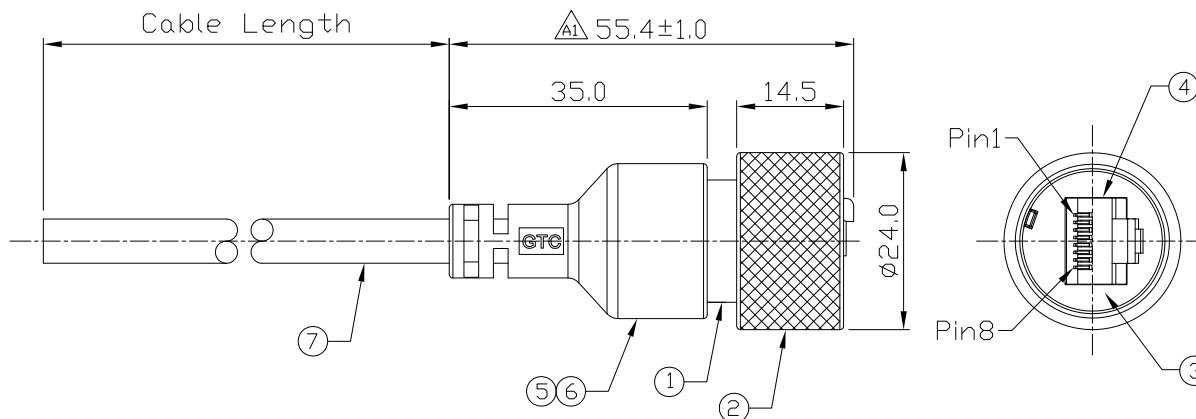


Notes: (Unless Otherwise Specified)  
 1. Waterproof Rate: IP68.  
 2. RoHS Compliance.

REV	ECN#	DESCRIPTION OF REVISION	DRAW BY DATE	CHECK BY DATE	APPROVE BY DATE
A1	ECN-221105	Modify 54±1.0mm → 55.4±1.0mm	Jenny 11/15/22	Lucas 11/15/22	Ray 11/15/22



GTC  
 DOC.CENTER.ISSUE  
 NOV.16.2022  
 ONLY FOR  
 RELEASE

1	White/Orange
2	Orange
3	White/Green
4	Blue
5	White/Blue
6	Green
7	White/Brown
8	Brown
Shell	Drain

Wiring Diagram

GT225320-01-10	10000 mm	±500
GT225320-01-09	9000 mm	±450
GT225320-01-08	8000 mm	±400
GT225320-01-07	7000 mm	±350
GT225320-01-06	6000 mm	±300
GT225320-01-05	5000 mm	±250
GT225320-01-04	4000 mm	±200
GT225320-01-03	3000 mm	±150
GT225320-01-02	2000 mm	±100
GT225320-01-01	1000 mm	±50
GT225320-01-29	900 mm	±40
GT225320-01-26	600 mm	±40
GT225320-01-25	500 mm	±40
Part No.	Cable Length	Tol.

Item	Part Name	Material / Finish	QTY
7	Cable	CAT5E 24AWG*4P+AL/My+D Color: Gray, OD=6.0mm	1
6	Over Mold	PVC Color: Black	1
5	Inner Mold	Thermal Plastic Color: Black Or White	1
4	RJ45 Plug	Housing: Thermal Plastic, Color: Clean Contacts: Copper Alloy, Finish: Au Plated	1
3	Rubber Pad	Silicone Color: Black	1
2	Screw Nut	Copper Alloy Finish: Ni Plated	1
1	Housing	Thermal Plastic Color: Black	1

GT Contact CO.,LTD

NOTICE OF PROPRIETARY PROPERTY:  
 THE INFORMATION CONTAINED HEREIN IS THE PROPRIETARY PROPERTY OF GT Contact CO.,LTD THE POSSESSOR AGREES TO THE FOLLOWING:  
 (A) TO MAINTAIN THIS DOCUMENT IN CONFIDENCE  
 (B) NOT TO REPRODUCE OR COPY IT  
 (C) NOT TO REVEAL OR PUBLISH IT IN WHOLE OR PART  
 (D) ALL RIGHTS RESERVED

TITLE						DRAWING NUMBER			REV.
RJ45 Metal C3 Shielded Cable End Plug Screw						GT225320-01-XX			A1
THIRD ANGLE PROJECTION	SIZE	SCALE	DRAW / DATE	CHECK / DATE	APPROVE / DATE	TOLERANCES	UNIT	SHEET	
	B	1:1	Joyce 10/03/11	Lucas 10/03/11	Ray 10/03/11	X.X ± 0.5 X.XX ± 0.2	X.XXX ± 0.05 ANGLES ± 1°	mm 1/1	