

1

2

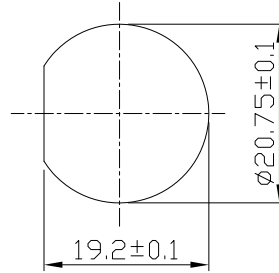
3

4

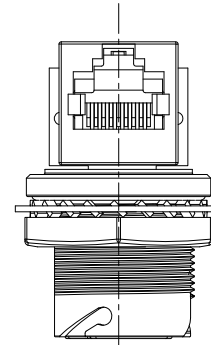
Notes: (Unless Otherwise Specified)

- 1. Waterproof Rate: IP68.
- 2. Recommend Panel Thickness: 0.8 to 3.0 mm.
- 3. Recommend Torque: 19~20 Kgf-cm.
- 4. Mating Cap P/N: GT1C213022.
- 5. RoHS Compliant.

REV	ECN#	DESCRIPTION OF REVISION	DRAW BY DATE	CHECK BY DATE	APPROVE BY DATE
A3	ECN-230918	42.7mm=>40mm	Lucas 10/19/23	Lucas 10/19/23	Ray 10/19/23

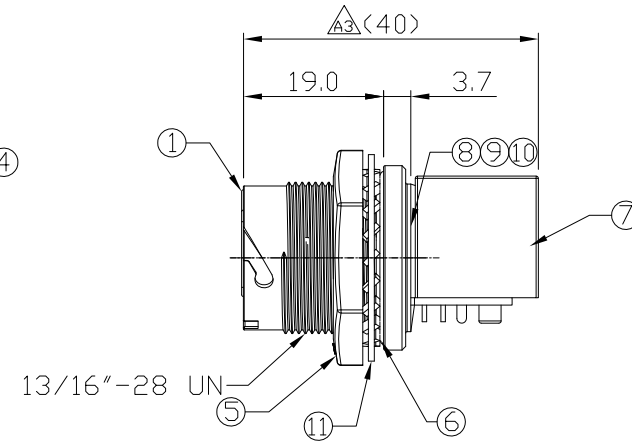
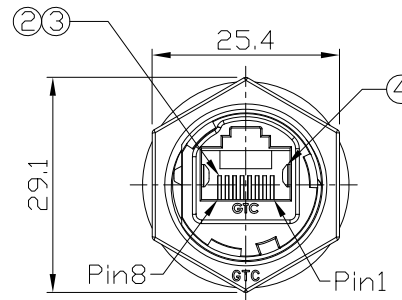


Recommend Panel Cut-Out



GTC
DOC.CENTER.ISSUE
OCT.20.2023
ONLY FOR
RELEASE

11	Washer	Stainless Finish: —	1
10	Glue	Epoxy Color: Black	
9	PCB	FR-4 Color: -	1
8	Holder	Silicone Color: Black	1
7	RJ45 Receptacle	Shell: Copper Alloy; Finish: Ni Plated Housing: Thermoplastic; Color: Black Contacts: Copper Alloy; Finish: Au Plated	1
6	O-Ring	Silicone Color: Red	1
5	Hex Nut	Zn Alloy Finish: Ni Plated	1
4	EMI Shielded Plate	Copper Alloy Finish: Ni Plated	2
3	Holder	Thermoplastic Color: Black	1
2	RJ45 Receptacle	Housing: Thermoplastic; Color: Gray Contacts: Copper Alloy; Finish: Au Plated	1
1	Housing	Zn Alloy Finish: Ni Plated	1
Item	Part Name	Material / Finish	Q'ty



TITLE						DRAWING NUMBER			REV.	
RJ45 Metal C3 Shielded Panel Jack Lock With Coupler 90°						GT225200-40			A3	

THIRD ANGLE PROJECTION	SIZE	SCALE	DRAW / DATE	CHECK / DATE	APPROVE / DATE	TOLERANCES	UNIT	SHEET
	B	1:1	Karen 06/03/09	Ray 06/03/09	Ray 06/03/09	X.X ± 0.5 X.XX ± 0.2	mm	1/1
						X.XXX ± 0.05 ANGLES ± 1°		

GT Contact CO.,LTD

NOTICE OF PROPRIETARY PROPERTY:
THE INFORMATION CONTAINED HEREIN IS THE PROPRIETARY PROPERTY OF GT CONTACT CO.,LTD THE POSSESSOR AGREES TO THE FOLLOWING:
(a) TO MAINTAIN THIS DOCUMENT IN CONFIDENCE
(b) NOT TO REPRODUCE OR COPY IT
(c) NOT TO REVEAL OR PUBLISH IT IN WHOLE OR PART
(d) ALL RIGHTS RESERVED

1

2

3

4