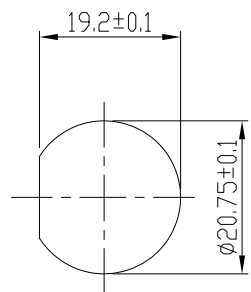


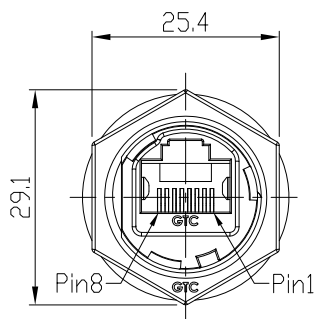
Notes: (Unless Otherwise Specified)

1. Waterproof Rate: IP68.
2. Recommend Panel Thickness: 0.8 To 3.0 mm.
3. Recommend Torque: 19~20 Kgf-cm.
4. Mating Cap P/N: GT1C2130X2.
5. RoHS Compliant.

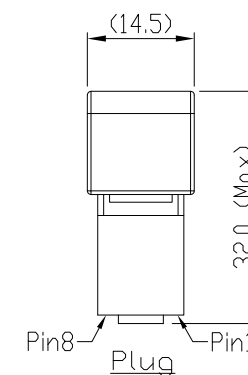
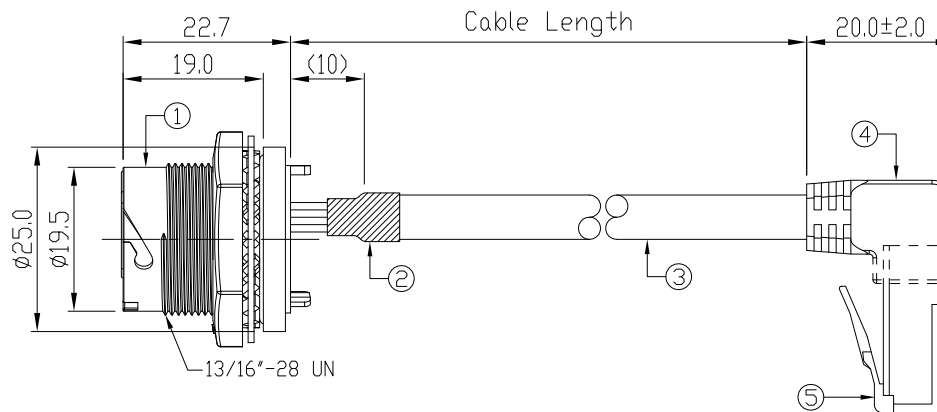
| REV | ECN# | DESCRIPTION OF REVISION | DRAW BY DATE | CHECK BY DATE | APPROVE BY DATE |
|-----|------|-------------------------|-----------------|----------------|-----------------|
| 01 | | | Aileen 08/04/21 | Lucas 08/04/21 | Ray 08/04/21 |



Recomend Panel Cut-Out



Conn.



Plug



Wiring Diagram

| Item | Part Name | Material / Finish | Q'ty |
|------|--|--|------|
| 5 | RJ45 Plug | Housing: Thermoplastic; Color: Clean Contacts: Copper Alloy; Finish: Au Plated Shell: Cold Roll Steel; Finish: Ni Plated | 1 |
| 4 | Over Mold | PVC Color: Black | 1 |
| 3 | Cable | CAT5E 24AWG*4P+AL/My+D Color: Black, O.D.=6.0mm | 1 |
| 2 | Shrink Tube | L=20mm Color: Black | 1 |
| 1 | RJ45 Metal C3 Shielded Panel Jack Lock | GT Contact P/N: GT225200-02 | 1 |

| Part No. | Cable Length | Tol. |
|----------------|--------------|------|
| GT225200-0R-01 | 1000 mm | +50 |
| GT225200-0R-Z9 | 900 mm | +50 |
| GT225200-0R-Z8 | 800 mm | +50 |
| GT225200-0R-Z7 | 700 mm | +50 |
| GT225200-0R-Z6 | 600 mm | +50 |
| GT225200-0R-Z5 | 500 mm | +50 |
| GT225200-0R-Z4 | 400 mm | +50 |
| GT225200-0R-Z3 | 300 mm | +25 |
| GT225200-0R-Z2 | 200 mm | +25 |
| GT225200-0R-Z1 | 100 mm | +25 |

| TITLE | | | | | | DRAWING NUMBER | | | REV. |
|---|------|-------|-----------------|----------------|----------------|-------------------------|-------------|--------|------|
| RJ45 Metal C3 Shielded Panel Jack Lock With RJ Plug Right Angle | | | | | | GT225200-0R-XX | | | 01 |
| THIRD ANGLE PROJECTION | SIZE | SCALE | DRAW / DATE | CHECK / DATE | APPROVE / DATE | TOLERANCES | | SHEET | |
| | B | 1/1 | Aileen 08/04/21 | Lucas 08/04/21 | Ray 08/04/21 | X.X ± 0.5 X.XX ± 0.2 | ANGLES ± 1° | mm 1/1 | |

GT Contact CO.,LTD

NOTICE OF PROPRIETARY PROPERTY:
THE INFORMATION CONTAINED HEREIN IS THE PROPRIETARY PROPERTY OF GT Contact CO.,LTD THE POSSESSOR AGREES TO THE FOLLOWING:
(a) TO MAINTAIN THIS DOCUMENT IN CONFIDENCE
(b) NOT TO REPRODUCE OR COPY IT
(c) NOT TO REVEAL OR PUBLISH IT IN WHOLE OR PART
(d) ALL RIGHTS RESERVED