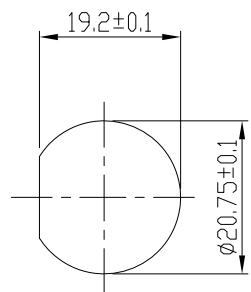


Notes: (Unless Otherwise Specified)

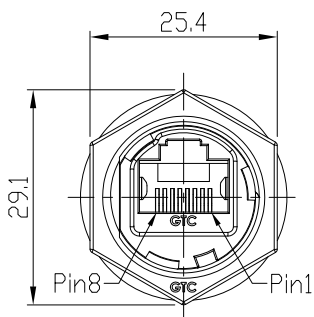
- 1. Waterproof Rate: IP68.
- 2. Recommend Panel Thickness: 0.8 To 3.0 mm.
- 3. Recommend Torque: 19~20 Kgf-cm.
- 4. Mating Cap P/N: GT1C2130X2.
- 5. RoHS Compliant.



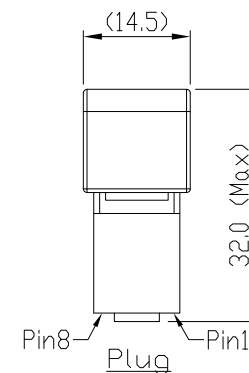
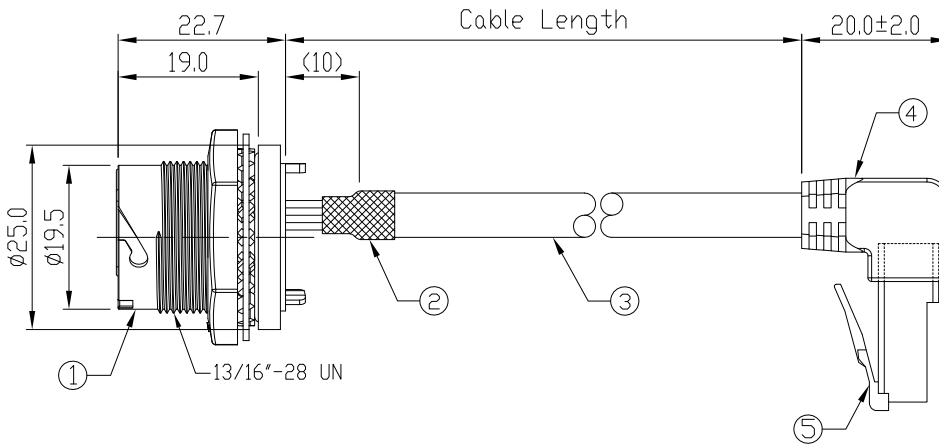
REV	ECN#	DESCRIPTION OF REVISION	DRAW BY DATE	CHECK BY DATE	APPROVE BY DATE
01			Jenny 02/25/22	Lucas 02/25/22	Ray 02/25/22



Recomend Panel Cut-Out



Conn.



Item	Part Name	Material / Finish	Q'ty
5	RJ45 Plug	Housing: Thermoplastic; Color: Clean Contacts: Copper Alloy; Finish: Au Plated Shell: Cold Roll Steel; Finish: Ni Plated	1
4	Over Mold	PVC Color: Black	1
3	Cable	CAT6E 26AWG*4P+Al/My+D Color: Black, OD=6.0mm	1
2	Shrink Tube	L=20mm Color: Black	1
1	RJ45 Metal C3 Shielded Panel Jack Lock	GT Contact P/N: GT225200-0X	1



Wiring Diagram

Part No.	Cable Length	Tol.
GT225200-0H-01	1000 mm	+50
GT225200-0H-Z9	900 mm	+50
GT225200-0H-Z8	800 mm	+50
GT225200-0H-Z7	700 mm	+50
GT225200-0H-Z6	600 mm	+50
GT225200-0H-Z5	500 mm	+50
GT225200-0H-Z4	400 mm	+50
GT225200-0H-Z3	300 mm	+25
GT225200-0H-Z2	200 mm	+25
GT225200-0H-Z1	100 mm	+25

TITLE						DRAWING NUMBER			REV.	
RJ45 Metal C3 Shielded Panel Jack Lock With CAT6 Cable + Right Angle RJ Plug						GT225200-0H-XX			01	
THIRD ANGLE PROJECTION	SIZE	SCALE	DRAW / DATE	CHECK / DATE	APPROVE / DATE	TOLERANCES		UNIT	SHEET	
	B	1/1	Jenny 02/25/22	Lucas 02/25/22	Ray 02/25/22	X.X ± 0.5 X.XX ± 0.2	ANGLES ± 1°	mm	1/1	

GT Contact CO.,LTD

NOTICE OF PROPRIETARY PROPERTY:
THE INFORMATION CONTAINED HEREIN IS THE PROPRIETARY PROPERTY OF GT CONTACT CO.,LTD THE POSSESSOR AGREES TO THE FOLLOWING:
(i) TO MAINTAIN THIS DOCUMENT IN CONFIDENCE
(ii) NOT TO REPRODUCE OR COPY IT
(iii) NOT TO REVEAL OR PUBLISH IT IN WHOLE OR PART
(iv) ALL RIGHTS RESERVED