

1

2

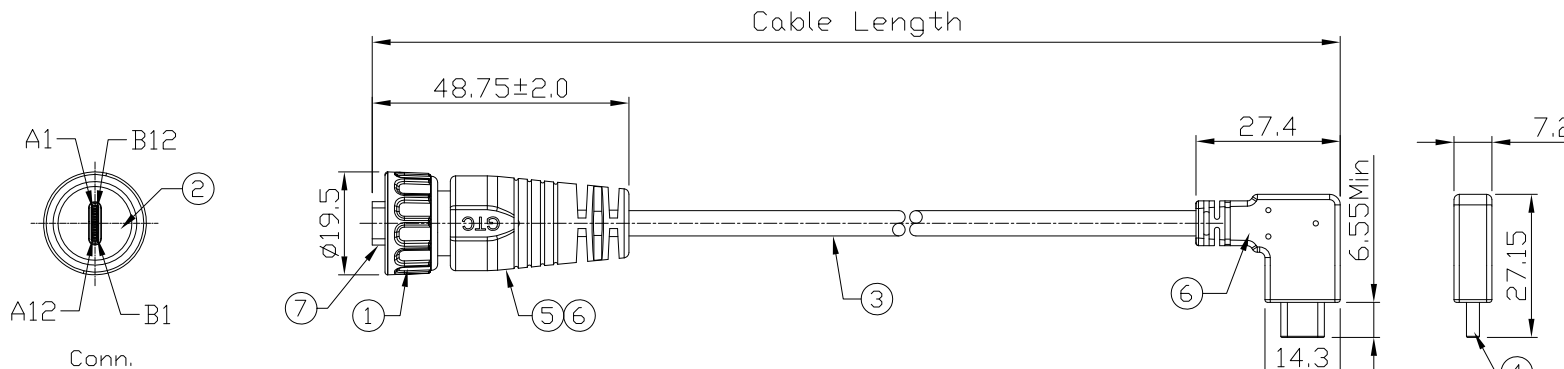
3

4

Notes: (Unless Otherwise Specified)

- 1. Waterproof Rate: IP68.
- 2. RoHS Compliant.
- 3. Type C - Pin Out Is The Same As This Drawing.
- 4. UL Certification file #E364108.

REV	ECN#	DESCRIPTION OF REVISION	DRAW BY DATE	CHECK BY DATE	APPROVE BY DATE
A1	ECN-240538	E-MARK FL7031-3A=>VL152C-5A	Lucas 06/13/24	Lucas 06/13/24	Ray 06/13/24



Item	Part Name	Material / Finish	Qty
7	USB Type C Without IC	Housing: Thermoplastic, Color: Black Contacts: Copper Alloy, Finish: Au Plated Shell: Stainless Steel, Finish: Au Plated	1
6	Over Mold	PVC Color: Black	2
5	Inner Mold	PVC Color: Black	1
4	USB Type C With IC	Housing: Thermoplastic, Color: Black, (E-MARK VL152C-5A) Contacts: Copper Alloy, Finish: Au Plated Shell: Stainless Steel, Finish: Au Plated	1
3	Cable	UL21572 (1P/32#+EAM)*4+(1P/32#+A)+(4C/32#)+(1C/24#)+2EAB 85% OD:4.8mm BLACK TPE JACKET.	1
2	Rubber Pad	Silicone Color: Black	1
1	Screw Nut	Zn Alloy Finish: Ni Plated	1

Part No.	Cable Length	Tol.
GT21C320-09-02	2000 mm	+100
GT21C320-09-01	1000 mm	+50
GT21C320-09-29	900 mm	+50
GT21C320-09-28	800 mm	+50
GT21C320-09-27	700 mm	+50
GT21C320-09-26	600 mm	+50
GT21C320-09-25	500 mm	+50
GT21C320-09-24	400 mm	+50
GT21C320-09-23	300 mm	+25
GT21C320-09-22	200 mm	+25

TITLE						DRAWING NUMBER			REV.
USB 3.1 Type C Metal C2 Cable End Plug Screw With Type C Plug Right/Left						GT21C320-09-XX			A1
THIRD ANGLE PROJECTION	SIZE	SCALE	DRAW / DATE	CHECK / DATE	APPROVE / DATE	TOLERANCES		UNIT	SHEET
	B	1:1	Whitney 04/09/20	Lucas 04/09/20	Ray 04/09/20	X.X ± 0.5 X.XX ± 0.2	X.XXX ± 0.05 ANGLES ± 1°	mm	1/2

GT Contact CO.,LTD

NOTICE OF PROPRIETARY PROPERTY:
THE INFORMATION CONTAINED HEREIN IS THE PROPRIETARY PROPERTY OF GT CONTACT CO.,LTD THE POSSESSOR AGREES TO THE FOLLOWING:
(i) TO MAINTAIN THIS DOCUMENT IN CONFIDENCE
(ii) NOT TO REPRODUCE OR COPY IT
(iii) NOT TO REVEAL OR PUBLISH IT IN WHOLE OR PART
(iv) ALL RIGHTS RESERVED

1

2

3

4

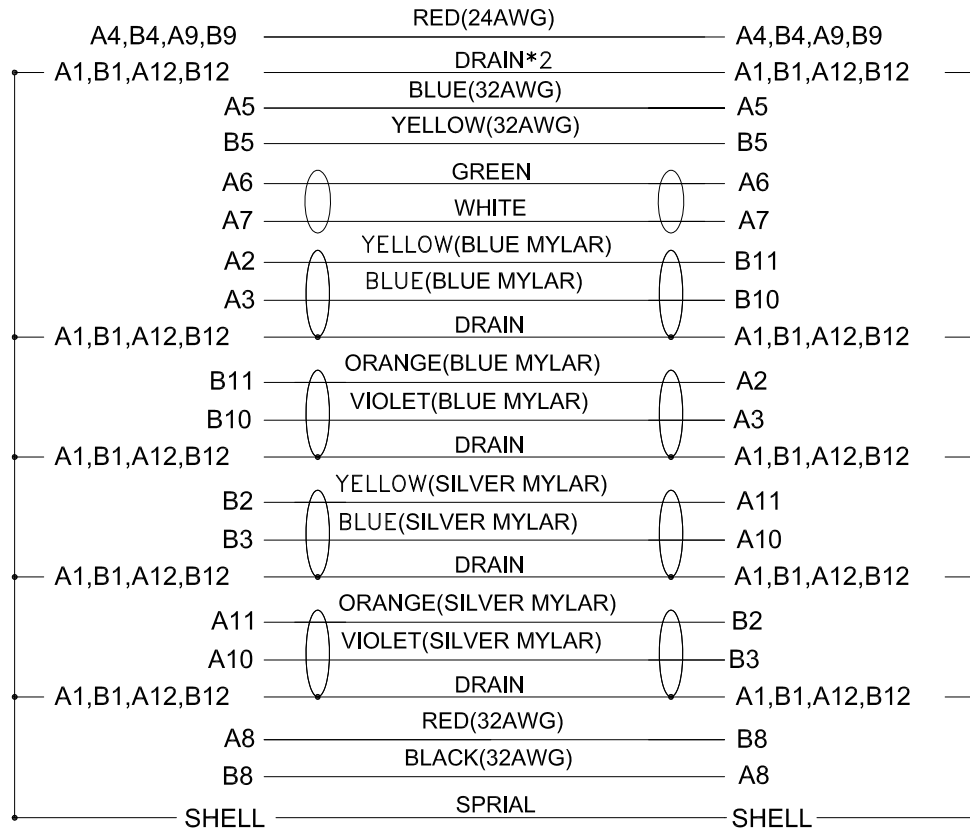
1

2

3

4

REV	ECN#	DESCRIPTION OF REVISION	DRAW BY DATE	CHECK BY DATE	APPROVE BY DATE
A1	ECN-240538	E-MARK FL7031-3A=>VL152C-5A	Lucas 06/13/24	Lucas 06/13/24	Ray 06/13/24



Conn.

Type C Plug

Wiring Diagram



GT Contact CO.,LTD

NOTICE OF PROPRIETARY PROPERTY:
 THE INFORMATION CONTAINED HEREIN IS THE PROPRIETARY PROPERTY OF GT Contact CO.,LTD THE POSSESSOR AGREES TO THE FOLLOWING:
 (i) TO MAINTAIN THIS DOCUMENT IN CONFIDENCE
 (ii) NOT TO REPRODUCE OR COPY IT
 (iii) NOT TO REVEAL OR PUBLISH IT IN WHOLE OR PART
 (iv) ALL RIGHTS RESERVED

TITLE						DRAWING NUMBER			REV.
USB 3.1 Type C Metal C2 Cable End Plug Screw With Type C Plug Right/Left						GT21C320-09-XX			A1
	B	1:1	Whitney 04/09/20	Lucas 04/09/20	Ray 04/09/20	X.X ± 0.5 X.XX ± 0.2	X.XXX ± 0.05 ANGLES ± 1°	mm	2/2
THIRD ANGLE PROJECTION	SIZE	SCALE	DRAW / DATE	CHECK / DATE	APPROVE / DATE	TOLERANCES		UNIT	SHEET

1

2

3

4