

1

2

3

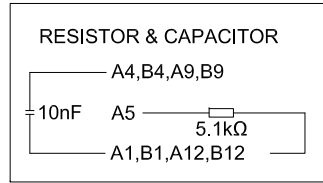
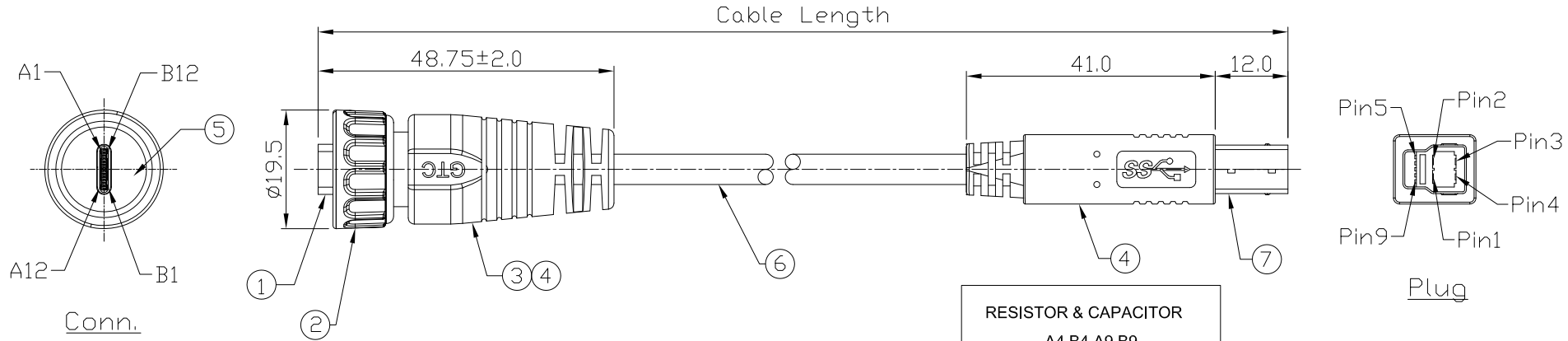
4

Notes: (Unless Otherwise Specified)

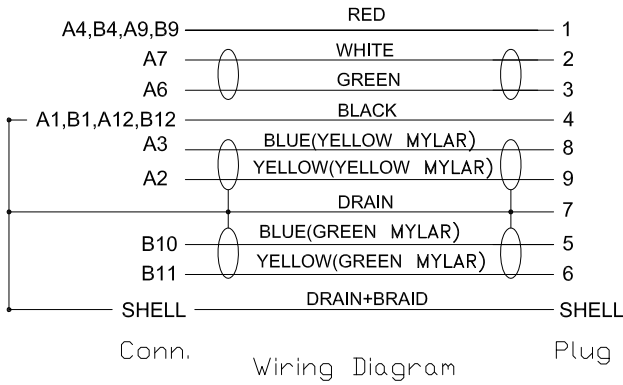
- 1. Waterproof Rate: IP68.
- 2. RoHS Compliant.
- 3. Type C -Pin Out Is The Same As This Drawing.
- 4. UL Certification file #E364108.



| REV | ECN# | DESCRIPTION OF REVISION | DRAW BY DATE | CHECK BY DATE | APPROVE BY DATE |
|-----|------------|--|----------------|----------------|-----------------|
| A0 | ECN-240621 | STEEL WITH NICKEL PALTED=>STEEL WITH Au PALTED | Lucas 06/26/24 | Lucas 06/26/24 | Ray 06/26/24 |



| Item | Part Name | Material / Finish | Q'ty |
|------|----------------|---|------|
| 7 | USB-B 3.0 Plug | Contacts: Copper Alloy Finish: Au Plated Housing: Thermoplastic Color: Blue Shell: Cold Roll Steel Finish: Au Plated | 1 |
| 6 | Cable | UL2725 (1P/30#+EAM)*2+(1P/30#)+(2C/24#)+AEB(AL)65% OD:5.0mm, BLACK PVC JACKET. | 1 |
| 5 | Rubber Pad | Silicone Color: Black | 1 |
| 4 | Over Mold | PVC Color: Black | 2 |
| 3 | Inner Mold | Theroplastic Color: Black | 1 |
| 2 | Screw Nut | Zn Alloy Finish: Ni Plated | 1 |
| 1 | USB Type C 3.1 | Housing: Thermoplastic, Color: Black Contacts: Copper Alloy, Finish: Au Plated Shell: Stainless Steel, Finish: Au Plated | 1 |



| Part No. | Cable Length | Tol. |
|----------------|--------------|------|
| GT21C320-05-02 | 2000 mm | +100 |
| GT21C320-05-01 | 1000 mm | +50 |
| GT21C320-05-Z9 | 900 mm | +50 |
| GT21C320-05-Z8 | 800 mm | +50 |
| GT21C320-05-Z7 | 700 mm | +50 |
| GT21C320-05-Z6 | 600 mm | +50 |
| GT21C320-05-Z5 | 500 mm | +50 |
| GT21C320-05-Z4 | 400 mm | +50 |
| GT21C320-05-Z3 | 300 mm | +25 |
| GT21C320-05-Z2 | 200 mm | +25 |

GT Contact CO.,LTD

NOTICE OF PROPRIETARY PROPERTY:
THE INFORMATION CONTAINED HEREIN IS THE PROPRIETARY PROPERTY OF GT Contact CO.,LTD THE POSSESSOR AGREES TO THE FOLLOWING:
(1) TO MAINTAIN THIS DOCUMENT IN CONFIDENCE
(2) NOT TO REPRODUCE OR COPY IT
(3) NOT TO REVEAL OR PUBLISH IT IN WHOLE OR PART
(4) ALL RIGHTS RESERVED

| TITLE | | | | | | DRAWING NUMBER | | | REV. | |
|--|------|-------|-------------|--------------|----------------|-------------------------|-----------------------------|----|------|-------|
| USB 3.1 Type C Metal C2 Cable End Plug Screw With Cable + USB-B 3.0 Plug | | | | | | GT21C320-05-XX | | | A0 | |
| THIRD ANGLE PROJECTION | SIZE | SCALE | DRAW / DATE | CHECK / DATE | APPROVE / DATE | X.X ± 0.5 X.XX ± 0.2 | X.XXX ± 0.05 ANGLES ± 1° | mm | 1/1 | SHEET |

1

2

3

4