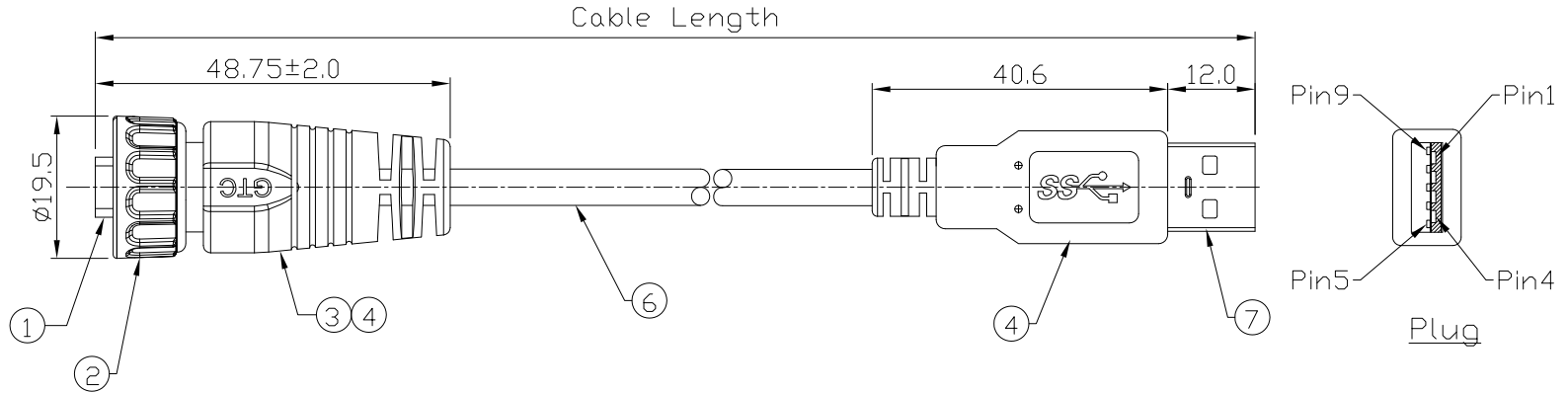
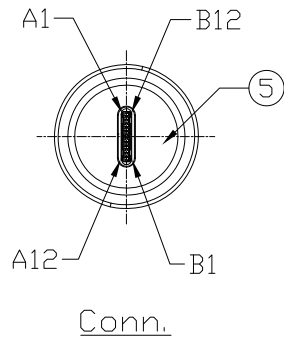


Notes: (Unless Otherwise Specified)

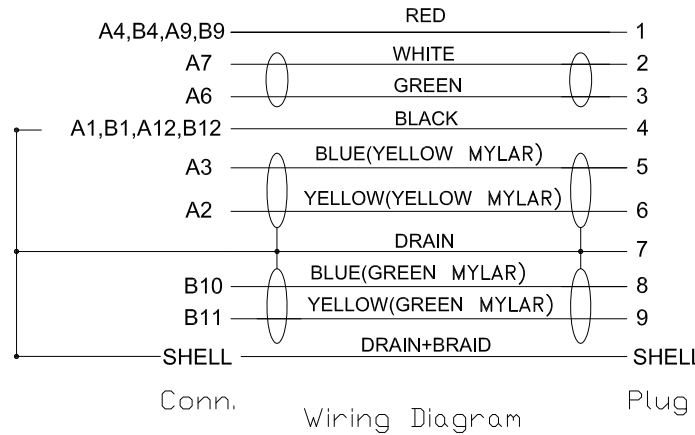
1. Waterproof Rate: IP68.
2. RoHS Compliant.
3. Type C -Pin Out Is The Same As This Drawing.
4. UL Certification file #E364108.



REV	ECN#	DESCRIPTION OF REVISION	DRAW BY DATE	CHECK BY DATE	APPROVE BY DATE
A0	ECN-240621	STEEL WITH NICKEL PALTED=>STEEL WITH Au PALTED	Lucas 06/26/24	Lucas 06/26/24	Ray 06/26/24



Item	Part Name	Material / Finish	Q'ty
7	USB-A 3.0 Plug	Housing: Thermoplastic, Color: Blue Contacts: Copper Alloy, Finish: Au Plated Shell: Cold Roll Steel, Finish: Au Plated	1
6	Cable	UL2725 (1P/30#+EAM)*2+(1P/30#)+(2C/24#)+AEB(AL)65% OD:5.0mm, BLACK PVC JACKET.	1
5	Rubber Pad	Silicone Color: Black	1
4	Over Mold	PVC Color: Black	2
3	Inner Mold	Theroplastic Color: Black	1
2	Screw Nut	Zn Alloy Finish: Ni Plated	1
1	USB Type C 3.1	Housing: Thermoplastic, Color: Black Contacts: Copper Alloy, Finish: Au Plated Shell: Stainless Steel, Finish: Au Plated	1



GT21C320-04-03	3000 mm	+100
GT21C320-04-02	2000 mm	+100
GT21C320-04-01	1000 mm	+50
GT21C320-04-Z9	900 mm	+50
GT21C320-04-Z8	800 mm	+50
GT21C320-04-Z7	700 mm	+50
GT21C320-04-Z6	600 mm	+50
GT21C320-04-Z5	500 mm	+50
GT21C320-04-Z4	400 mm	+50
GT21C320-04-Z3	300 mm	+25
GT21C320-04-Z2	200 mm	+25
Part No.	Cable Length	Tol.

TITLE						DRAWING NUMBER			REV.
USB 3.1 Type C Metal C2 Cable End Plug Screw With Cable + USB-A 3.0 Plug						GT21C320-04-XX			A0
THIRD ANGLE PROJECTION	SIZE	SCALE	DRAW / DATE	CHECK / DATE	APPROVE / DATE	TOLERANCES		SHEET	
	B	1:1	Whitney 12/25/18	Lucas 12/25/18	Ray 12/25/18	X.X ± 0.5 X.XX ± 0.2	X.XXX ± 0.05 ANGLES ± 1°	mm 1/1	

GT Contact CO.,LTD

NOTICE OF PROPRIETARY PROPERTY:
THE INFORMATION CONTAINED HEREIN IS THE PROPRIETARY PROPERTY OF GT CONTACT CO.,LTD THE POSSESSOR AGREES TO THE FOLLOWING:
(1) TO MAINTAIN THIS DOCUMENT IN CONFIDENCE
(2) NOT TO REPRODUCE OR COPY IT
(3) NOT TO REVEAL OR PUBLISH IT IN WHOLE OR PART
(4) ALL RIGHTS RESERVED