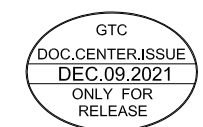
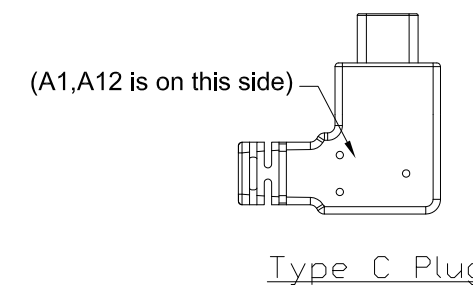
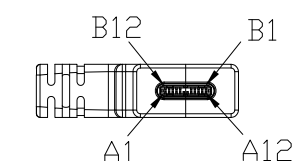
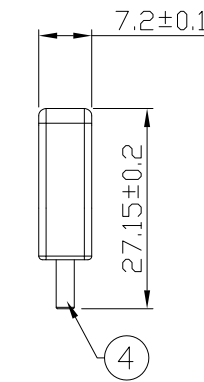
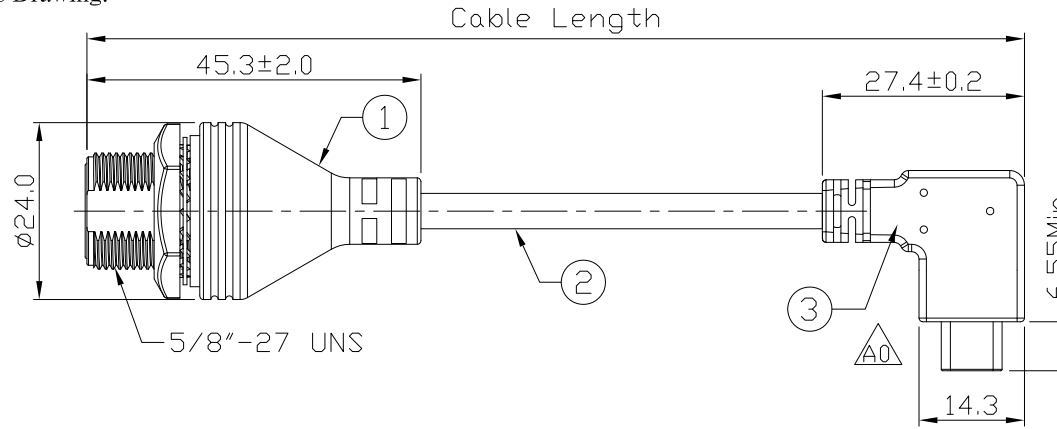
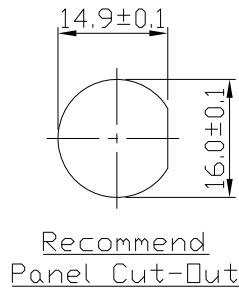
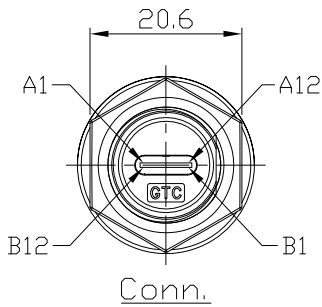


Notes: (Unless Otherwise Specified)

1. Waterproof Rate: IP68.
2. Recommend Panel Thickness: 0.8 to 6.0 mm.
3. Recommend Torque: 19~20 Kgf-cm.
4. Mating Cap P/N: GT1C5231X2/GT2C123012.
5. RoHS Compliant.
6. Type C - Pin Out Is The Same As This Drawing.
7. UL Certification file #E364108.

REV	ECN#	DESCRIPTION OF REVISION	DRAW BY DATE	CHECK BY DATE	APPROVE BY DATE
A0	ECN-211203	Copper foil wrap => metal shell cover	Lucas 12/09/21	Lucas 12/09/21	Ray 12/09/21



Item	Part Name	Material / Finish	Q'ty
4	USB Type C 3.1	Housing: Thermoplastic, Color: Black Contacts: Copper Alloy, Finish: Au Plated Shell: Stainless Steel, Finish: Au Plated	1
3	Over Mold	PVC Color: Black	1
2	Cable	UL21572(1P/32#+EAM)*4+(1P/32#+A)+(4C/32#+)(1C/24#+)+2EAB 85% OD:4.8mm BLACK TPE JACKET.	1
1	USB 3.1 Type C Metal C2 Cable To Cable Jack Screw	GT Contact P/N: GT21C310-01	1

GT21C310-09-02	2000 mm	+100
GT21C310-09-01	1000 mm	+50
GT21C310-09-Z9	900 mm	+50
GT21C310-09-Z8	800 mm	+50
GT21C310-09-Z7	700 mm	+50
GT21C310-09-Z6	600 mm	+50
GT21C310-09-Z5	500 mm	+50
GT21C310-09-Z4	400 mm	+50
GT21C310-09-Z3	300 mm	+25
GT21C310-09-Z2	200 mm	+25
GT21C310-09-Z1	100 mm	+25
Part No.	Cable Length	Tol.

TITLE						DRAWING NUMBER			REV.
USB 3.1 Type C Metal C2 Cable To Cable Jack Screw With Type C Plug Right/Left						GT21C310-09-XX			A0
THIRD ANGLE PROJECTION	SIZE	SCALE	DRAW / DATE	CHECK / DATE	APPROVE / DATE	TOLERANCES		SHEET	
	B	1:1	Aileen 10/07/20	Lucas 10/07/20	Ray 10/07/20	X.X ± 0.5 X.XX ± 0.2	X.XXX ± 0.05 ANGLES ± 1°	mm 1/3	

GT Contact CO.,LTD

NOTICE OF PROPRIETARY PROPERTY:  
THE INFORMATION CONTAINED HEREIN IS THE PROPRIETARY PROPERTY OF GT CONTACT CO.,LTD THE POSSESSOR AGREES TO THE FOLLOWING:  
(i) TO MAINTAIN THIS DOCUMENT IN CONFIDENCE  
(ii) NOT TO REPRODUCE OR COPY IT  
(iii) NOT TO REVEAL OR PUBLISH IT IN WHOLE OR PART  
(iv) ALL RIGHTS RESERVED

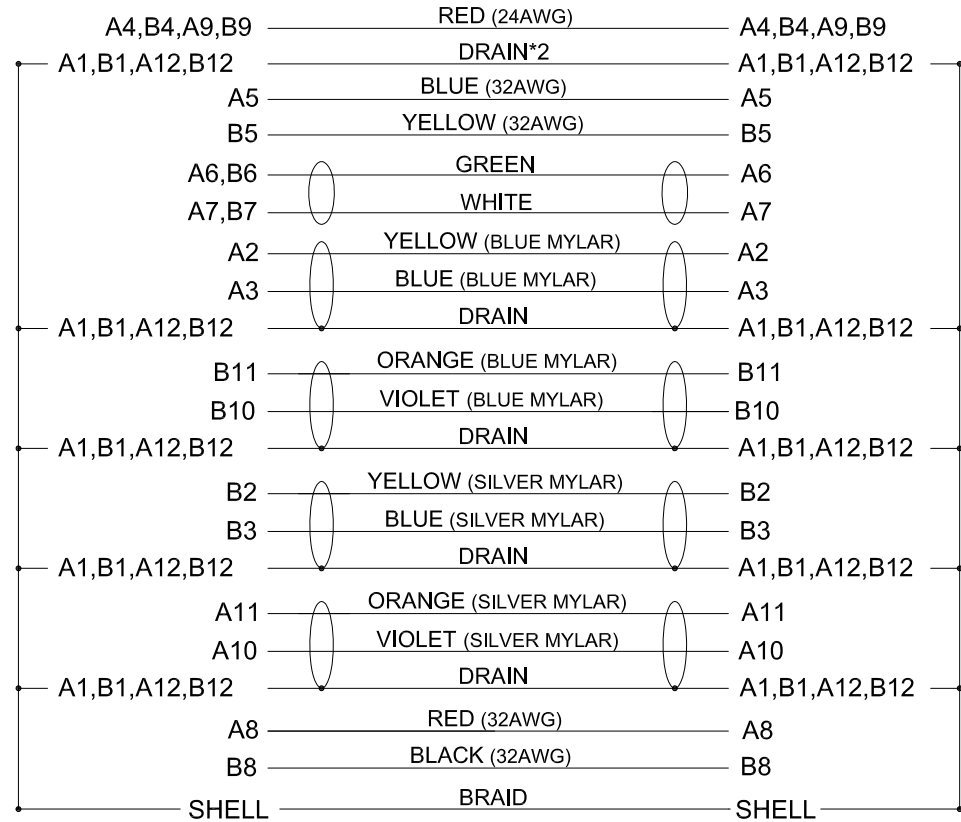
1

2

3

4

REV	ECN#	DESCRIPTION OF REVISION	DRAW BY DATE	CHECK BY DATE	APPROVE BY DATE
A0	ECN-211203	Copper foil wrap => metal shell cover	Lucas 12/09/21	Lucas 12/09/21	Ray 12/09/21



Conn.

Type C Plug

Wiring Diagram



GT Contact CO.,LTD

NOTICE OF PROPRIETARY PROPERTY:

THE INFORMATION CONTAINED HEREIN IS THE PROPRIETARY PROPERTY OF GT Contact CO.,LTD THE POSSESSOR AGREES TO THE FOLLOWING:  
 (i) TO MAINTAIN THIS DOCUMENT IN CONFIDENCE  
 (ii) NOT TO REPRODUCE OR COPY IT  
 (iii) NOT TO REVEAL OR PUBLISH IT IN WHOLE OR PART  
 (iv) ALL RIGHTS RESERVED

TITLE						DRAWING NUMBER			REV.
USB 3.1 Type C Metal C2 Cable To Cable Jack Screw With Type C Plug Right/Left						GT21C310-09-XX			A0
	B	1:1	Aileen 10/07/20	Lucas 10/07/20	Ray 10/07/20	X.X ± 0.5 X.XX ± 0.2	X.XXX ± 0.05 ANGLES ± 1°	mm	2/3
THIRD ANGLE PROJECTION	SIZE	SCALE	DRAW / DATE	CHECK / DATE	APPROVE / DATE	TOLERANCES		UNIT	SHEET

1

2

3

4

1

2

3

4

REV	ECN#	DESCRIPTION OF REVISION	DRAW BY DATE	CHECK BY DATE	APPROVE BY DATE
A0	ECN-211203	Copper foil wrap => metal shell cover	Lucas 12/09/21	Lucas 12/09/21	Ray 12/09/21

\*\*\*CONSTRUCTION:

1.CABLE: \* UL21572(1P/32#+EAM)\*4+(1P/32#+A)+(4C/32#)+(1C/24#)+2EAB 85%  
OD:4.8mm BLACK TPE JACKET.

\*\*\*CONNECTOR:

2.USB C/M: \* USB TYPE C MALE SOLDER TYPE,PCB WITHOUT IC,  
\* PINS: 30u GOLD PLATED OVER NICKEL.  
\* INSULATOR: BLACK THERMOPLASTIC 94V-0 RATED.  
\* SHELL: STEEL WITH GOLD PALTED.  
\* COVER: STEEL WITH NI PALTED.  
\* CAPACITOR.  
\* MOLDED: BLACK PVC 45P & 30P.

3.USB C/F: \* USB TYPE C FEMALE SOLDER TYPE,PCB WITHOUT IC,  
\* PINS: 30u GOLD PLATED OVER NICKEL.  
\* INSULATOR: BLACK COLOR LCP 94V-0 RATED.  
\* SHELL: STEEL WITH GOLD FLASH.

4.TEST: \* CT: 2 ohm IS: 5M ohm



GT Contact CO.,LTD

NOTICE OF PROPRIETARY PROPERTY:  
THE INFORMATION CONTAINED HEREIN IS THE PROPRIETARY PROPERTY OF GT Contact CO.,LTD THE POSSESSOR AGREES TO THE FOLLOWING:  
(i) TO MAINTAIN THIS DOCUMENT IN CONFIDENCE  
(ii) NOT TO REPRODUCE OR COPY IT  
(iii) NOT TO REVEAL OR PUBLISH IT IN WHOLE OR PART  
(iv) ALL RIGHTS RESERVED

TITLE USB 3.1 Type C Metal C2 Cable To Cable Jack Screw With Type C Plug Right/Left						DRAWING NUMBER GT21C310-09-XX			REV. A0
	B	1:1	Aileen 10/07/20	Lucas 10/07/20	Ray 10/07/20	X.X ± 0.5 X.XX ± 0.2	X.XXX ± 0.05 ANGLES ± 1°	mm	3/3
THIRD ANGLE PROJECTION	SIZE	SCALE	DRAW / DATE	CHECK / DATE	APPROVE / DATE	TOLERANCES		UNIT	SHEET

1

2

3

4