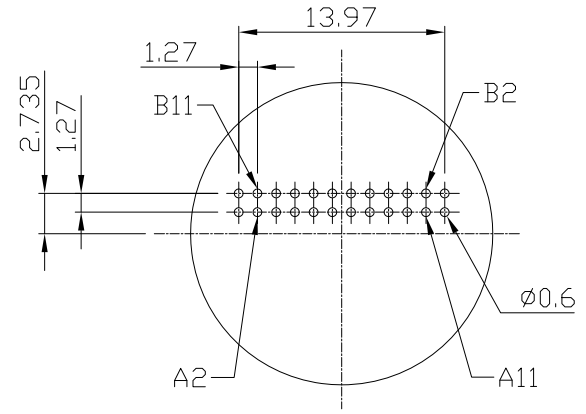
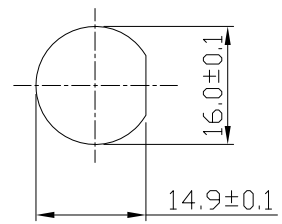
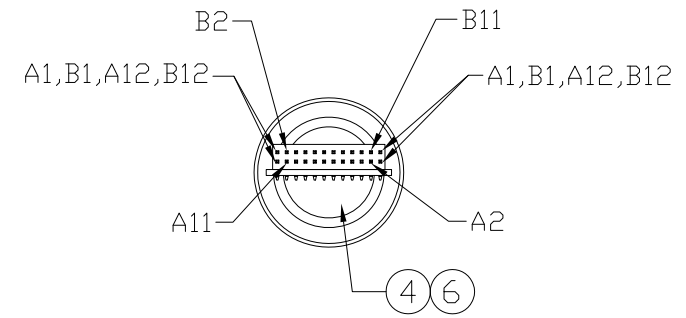
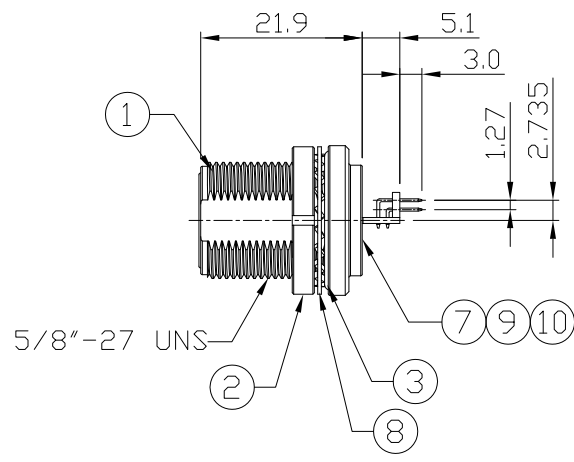
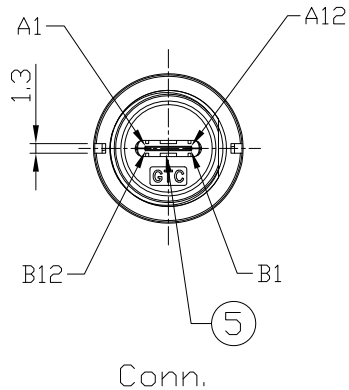
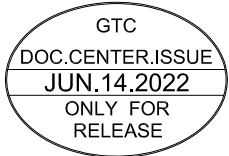


Notes: (Unless Otherwise Specified)

- 1. Waterproof Rate: IP68.
- 2. Recommend Panel Thickness: 0.8 to 6.0 mm.
- 3. Recommend Torque: 19~20 Kgf-cm.
- 4. Mating Cap P/N: GT1C5231X2/GT2C123012.
- 5. RoHS Compliant.
- 6. Type C -Pin out is the same as this drawing.
- 7. UL Certification file #E364108.

REV	ECN#	DESCRIPTION OF REVISION	DRAW BY DATE	CHECK BY DATE	APPROVE BY DATE
02	ECN-220609	Modify Spanner Nut	Lucas 06/14/22	Lucas 06/14/22	Ray 06/14/22



Front View  
Recommend  
Panel Cut-Out

Recommend PCB Layout  
(Scale 2/1)

10	Pin Header	Housing: Thermoplastic, Color: Black Contacts: Copper Alloy, Finish: Au Plated	1
9	PCB	FR-4 Color: -	1
8	Metal Washer	SUS Finish:-	1
7	EMI Shielded Plate	Copper Alloy Finish: Ni Plated	1
6	Glue	Epoxy Color: Black	1
5	USB Type C 3.1	Housing: Thermoplastic, Color: Black Contacts: Copper Alloy, Finish: Au 30u' Plated Shell: Stainless Steel, Finish: Au Plated	1
4	Hold	Silicone Color: Black	1
3	O-Ring	Silicone Color: Red	1
2	Spanner Nut	Copper Alloy Finish: Ni Plated	1
1	Housing	Zn Alloy Finish: Ni Plated	1
Item	Part Name	Material / Finish	Q'ty

TITLE						DRAWING NUMBER			REV.
USB 3.1 Type C Metal C2 Panel Jack Screw Dip With Spanner Nut						GT21C300-10(S)			02
	B	1:1	Lucas 05/06/22	Lucas 05/06/22	Ray 05/06/22	X.X ± 0.5 X.XX ± 0.2	X.XXX ± 0.05 ANGLES ± 1°	mm	1/1
THIRD ANGLE PROJECTION	SIZE	SCALE	DRAW / DATE	CHECK / DATE	APPROVE / DATE	TOLERANCES		UNIT	SHEET

GT Contact CO.,LTD

NOTICE OF PROPRIETARY PROPERTY:  
THE INFORMATION CONTAINED HEREIN IS THE PROPRIETARY PROPERTY OF GT CONTACT CO.,LTD THE POSSESSOR AGREES TO THE FOLLOWING:  
(a) TO MAINTAIN THIS DOCUMENT IN CONFIDENCE  
(b) NOT TO REPRODUCE OR COPY IT  
(c) NOT TO REVEAL OR PUBLISH IT IN WHOLE OR PART  
(d) ALL RIGHTS RESERVED