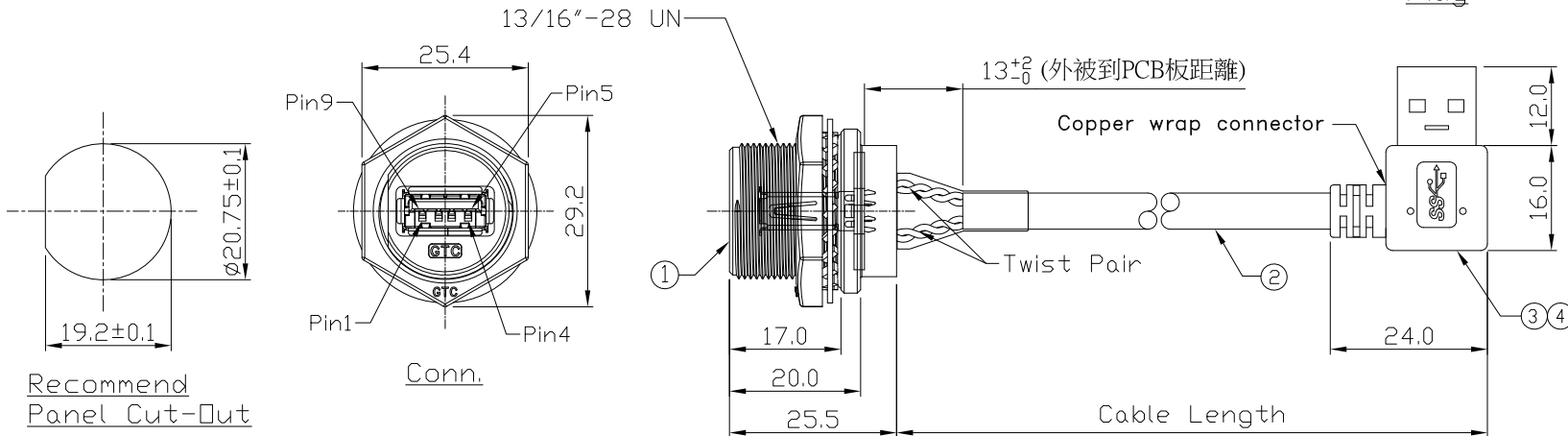


Notes: (Unless Otherwise Specified)

1. Waterproof Rate: IP68.
2. Recommend Panel Thickness: 0.8 to 6.0 mm.
3. Recommend Torque: 19~20 Kgf-cm.
4. Mating Cap P/N: GT2C2150X2/GT1C5331X2.
5. RoHS Compliant.

REV	ECN#	DESCRIPTION OF REVISION	DRAW BY DATE	CHECK BY DATE	APPROVE BY DATE
A0	ECN-240624	STEEL WITH NICKEL PALTED=>STEEL WITH Au PALTED	Lucas 07/03/24	Lucas 07/03/24	Ray 07/03/24



GTC
DOC.CENTER.ISSUE
JUL.05.2024
ONLY FOR
RELEASE

1	2	3	4	5	6	7	8	9	Shell
Red	White	Green	Black	Blue	Yellow	Drain	Purple	Orange	Braid
1	2	3	4	5	6	7	8	9	Shell

Conn. Wiring Diagram Plug

Part No.	Cable Length	Tol.
GT218300-0L-02	2000 mm	+100
GT218300-0L-01	1000 mm	+50
GT218300-0L-Z9	900 mm	+50
GT218300-0L-Z8	800 mm	+50
GT218300-0L-Z7	700 mm	+50
GT218300-0L-Z6	600 mm	+50
GT218300-0L-Z5	500 mm	+50
GT218300-0L-Z4	400 mm	+50
GT218300-0L-Z3	300 mm	+25
GT218300-0L-Z2	200 mm	+25
GT218300-0L-Z1	100 mm	+25

Item	Part Name	Material / Finish	Q'ty
4	Over Mold	PVC Color: Black	1
3	USB-A 3.0 Plug	Housing: Thermoplastic, Color: Blue Contacts: Copper Alloy, Finish: Au Plated Shell: SPCC, Finish: Au Plated	1
2	Cable	UL2725 (1P*28AWG(EAM))*2+(1PR*28AWG+A)+2C*22AWG+AB 85% Color: Black, OD=5.5mm	1
1	USB-A 3.0 C3 Panel Jack	GT Contact P/N: GT218300-01-XX	1

TITLE						DRAWING NUMBER			REV.
USB-A 3.0 Metal C3 Panel Jack Screw With USB-A 3.0 Plug Right Angle Left						GT218300-0L-XX			A0
THIRD ANGLE PROJECTION	SIZE	SCALE	DRAW / DATE	CHECK / DATE	APPROVE / DATE	TOLERANCES		UNIT	SHEET
	B	1:1	Jenny 06/02/22	Lucas 06/02/22	Ray 06/02/22	X.X ± 0.5 X.XX ± 0.2	X.XXX ± 0.05 ANGLES ± 1°	mm	1/1

GT Contact CO.,LTD

NOTICE OF PROPRIETARY PROPERTY:
THE INFORMATION CONTAINED HEREIN IS THE PROPRIETARY PROPERTY OF GT CONTACT CO.,LTD THE POSSESSOR AGREES TO THE FOLLOWING:
(a) TO MAINTAIN THIS DOCUMENT IN CONFIDENCE
(b) NOT TO REPRODUCE OR COPY IT
(c) NOT TO REVEAL OR PUBLISH IT IN WHOLE OR PART
(d) ALL RIGHTS RESERVED