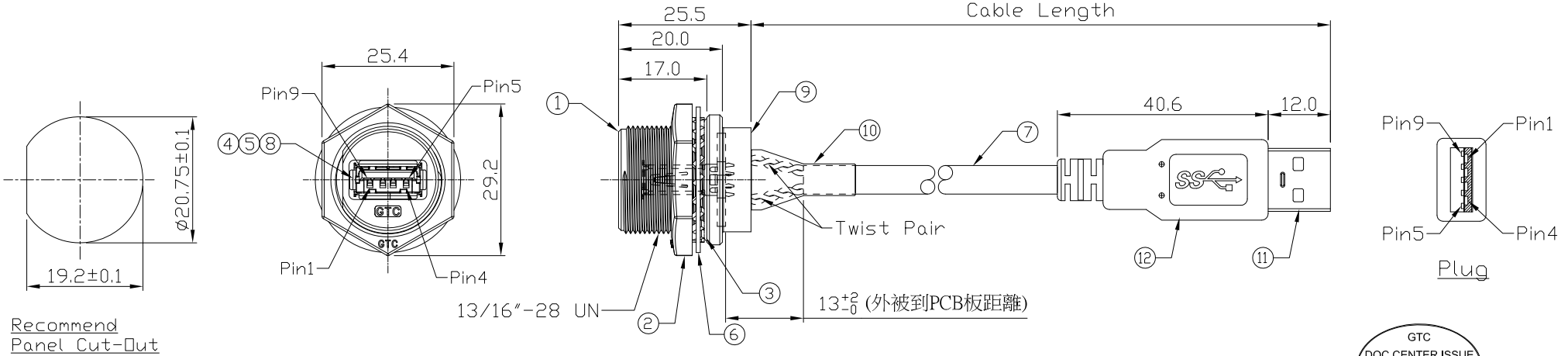


Notes: (Unless Otherwise Specified)

1. Waterproof Rate: IP68.
2. Recommend Panel Thickness: 0.8 to 6.0 mm.
3. Recommend Torque: 19~20 Kgf-cm.
4. Mating Cap P/N: GT2C2150X2/GT1C5331X2.
5. RoHS Compliant.

REV	ECN#	DESCRIPTION OF REVISION	DRAW BY DATE	CHECK BY DATE	APPROVE BY DATE
A0	ECN-240624	STEEL WITH NICKEL PALTED=>STEEL WITH Au PALTED	Lucas 07/03/24	Lucas 07/03/24	Ray 07/03/24



Item	Part Name	Material / Finish	Qty
12	Over Mold	PVC Color: Black	1
11	USB-A 3.0 Plug	Housing: Thermoplastic, Color: Blue Contacts: Copper Alloy, Finish: Au Plated Shell: SPC, Finish: Au Plated	1
10	Shrink Tube	L=25mm, Heat Shrink Tube With Adhesive Lined Color: Black	1
9	Glue	Epoxy Color: Black	
8	PCB	FR-4 Color: Green	1
7	Cable	UL2725 (1P*28AWGEM)*2+(1PR*28AWG+A)*2C*22AWG+AB 85% Color: Black, OD=5.5mm	1
6	Metal Washer	SUS Color: Green	1
5	EMI Shielded Plate	Copper Finish: Ni Plated	1
4	USB-A 3.0 Receptacle	Housing: Thermoplastic, Color: Blue Contacts: Copper Alloy, Finish: Au Plated Shell: Stainless, Finish: Non	1
3	O-Ring	Silicone Color: Red	1
2	Hex Nut	Zn Alloy Color: Green	1
1	Housing	Zn Alloy Color: Green	1

Conn.	Color	Plug
1	Red	1
2	White	2
3	Green	3
4	Black	4
5	Blue	5
6	Yellow	6
7	Drain	7
8	Purple	8
9	Orange	9
Shell	Braid	Shell

Part No.	Cable Length	Tol.
GT218300-02-02(G)	2000 mm	+100
GT218300-02-01(G)	1000 mm	+50
GT218300-02-29(G)	900 mm	+50
GT218300-02-28(G)	800 mm	+50
GT218300-02-27(G)	700 mm	+50
GT218300-02-26(G)	600 mm	+50
GT218300-02-25(G)	500 mm	+50
GT218300-02-24(G)	400 mm	+50
GT218300-02-23(G)	300 mm	+25
GT218300-02-22(G)	200 mm	+25
GT218300-02-21(G)	100 mm	+25

TITLE						DRAWING NUMBER			REV.
USB-A 3.0 Metal C3 Panel Jack Screw With USB-A 3.0 Plug						GT218300-02-XX(G)			A0
DD NOT SCALE DRAWINGS	B	N/A	Hank 07/27/16	Lucas 07/27/16	Ray 07/27/16	X.X ± 0.5 X.XX ± 0.2	X.XXX ± 0.05 ANGLES ± 1°	mm	1/1
THIRD ANGLE PROJECTION	SIZE	SCALE	DRAW / DATE	CHECK / DATE	APPROVE / DATE	TOLERANCES		UNIT	SHEET

GT Contact CO.,LTD

NOTICE OF PROPRIETARY PROPERTY:

THE INFORMATION CONTAINED HEREIN IS THE PROPRIETARY PROPERTY OF GT CONTACT CO.,LTD. THE POSSESSOR AGREES TO THE FOLLOWING:

(a) TO MAINTAIN THIS DOCUMENT IN CONFIDENCE

(b) NOT TO REPRODUCE OR COPY IT

(c) NOT TO REVEAL OR PUBLISH IT IN WHOLE OR PART

(d) ALL RIGHTS RESERVED