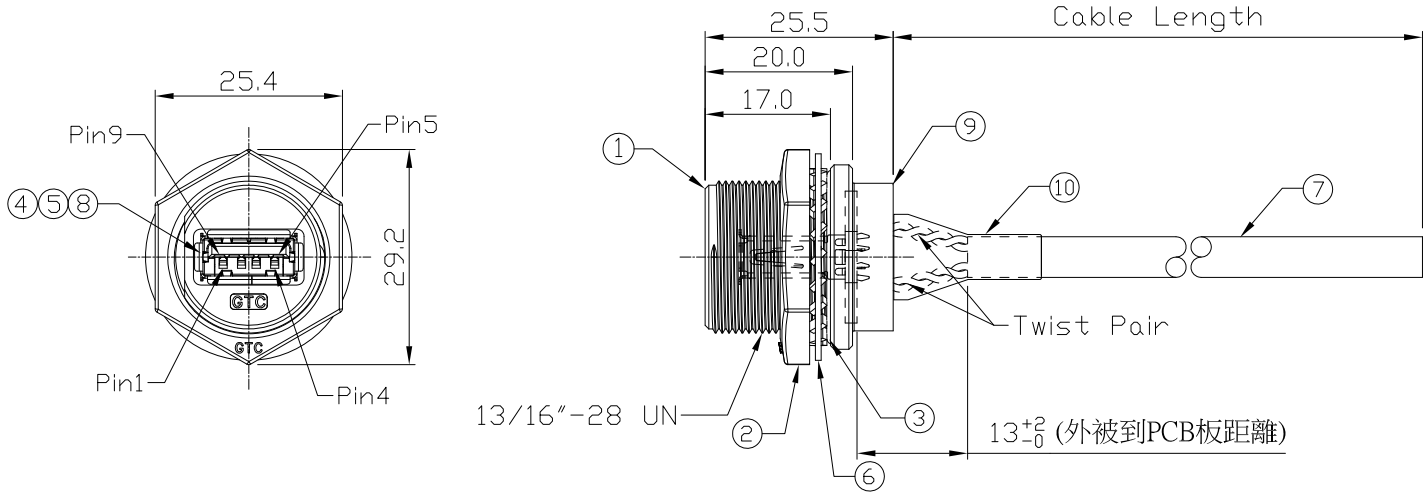


Notes: (Unless Otherwise Specified)

1. Waterproof Rate: IP68.
2. Recommend Panel Thickness: 0.8 to 6.0 mm.
3. Recommend Torque: 19~20 Kgf-cm.
4. Mating Cap P/N: GT2C2150X2/GT1C5331X2.
5. RoHS Compliant.

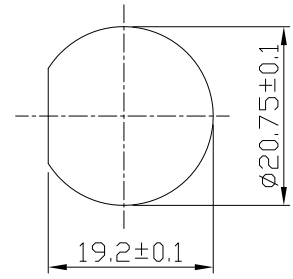
REV	ECN#	DESCRIPTION OF REVISION	DRAW BY DATE	CHECK BY DATE	APPROVE BY DATE
02	ECN-170509		Joyce 05/12/17	Lucas 05/12/17	Ray 05/12/17

GTC
DOC.CENTER.ISSUE
MAY.15.2017
ONLY FOR
RELEASE



Item	Part Name	Material / Finish	Qty
10	Shrink Tube	L=25mm, Heat Shrink Tube With Adhesive Lined Color: Black	1
9	Glue	Epoxy Color: Black	1
8	PCB	FR-4 Color: Green	1
7	Cable	UL2725 (1P*28AWGEM)*2+(1PR*28AWG+A)+2C*22AWG+AB 85% Color: Black, OD=5.5mm	1
6	Metal Washer	SUS	1
5	EMI Shielded Plate	Copper Finish: Ni Plated	1
4	USB-A 3.0 Receptacle	Housing: Thermoplastic, Color: Blue Contacts: Copper Alloy, Finish: Au Plated Shell: Stainless, Finish: Non	1
3	O-Ring	Silicone Color: Red	1
2	Hex Nut	Zn Alloy Finish: Ni Plated	1
1	Housing	Zn Alloy Finish: Ni Plated	1

Color	Wire
Red	1
White	2
Green	3
Black	4
Blue	5
Yellow	6
Drain	7
Purple	8
Orange	9
Braid	Shell



Recommend Panel Cut-Out

Part No.	Cable Length	Tol.
GT218300-01-02	2000 mm	+100
GT218300-01-01	1000 mm	+50
GT218300-01-29	900 mm	+50
GT218300-01-28	800 mm	+50
GT218300-01-27	700 mm	+50
GT218300-01-26	600 mm	+50
GT218300-01-25	500 mm	+50
GT218300-01-24	400 mm	+50
GT218300-01-23	300 mm	+25
GT218300-01-22	200 mm	+25
GT218300-01-21	100 mm	+25

Wiring Diagram

TITLE						DRAWING NUMBER			REV.
USB-A 3.0 Metal C3 Panel Jack Screw With Cable						GT218300-01-XX			02
THIRD ANGLE PROJECTION	SIZE	SCALE	DRAW / DATE	CHECK / DATE	APPROVE / DATE	TOLERANCES	UNIT	SHEET	
DD NOT SCALE DRAWINGS	B	1:1	Lucas 09/07/15	Lucas 09/07/15	Ray 09/07/15	X.X ± 0.5 X.XX ± 0.2	mm	1/1	
						X.XXX ± 0.05 ANGLES ± 1°			

GT Contact CO.,LTD

NOTICE OF PROPRIETARY PROPERTY:
THE INFORMATION CONTAINED HEREIN IS THE PROPRIETARY PROPERTY OF GT Contact CO.,LTD THE POSSESSOR AGREES TO THE FOLLOWING:
(i) TO MAINTAIN THIS DOCUMENT IN CONFIDENCE
(ii) NOT TO REPRODUCE OR COPY IT
(iii) NOT TO REVEAL OR PUBLISH IT IN WHOLE OR PART
(iv) ALL RIGHTS RESERVED