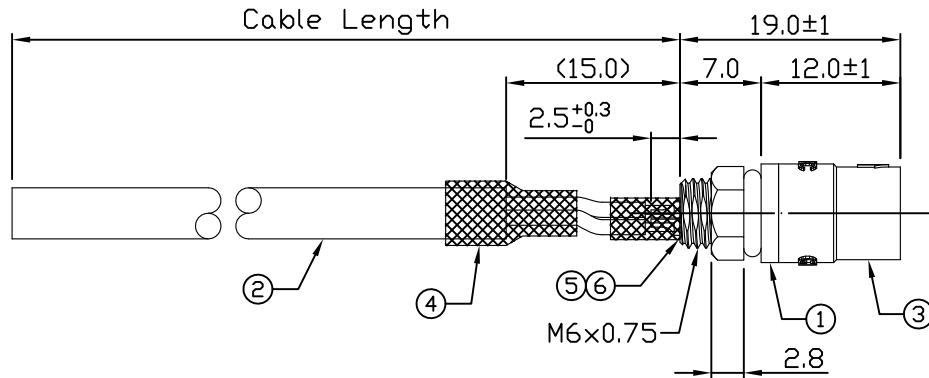


Notes: (Unless Otherwise Specified)

1. WaterProof Rate : IP67
2. Recommend Panel Thickness: 0.8 To 2.0 mm.
3. Recommend Torque: 5~6 Kgf-cm.
4. RoHS Compliant.

REV	ECN#	DESCRIPTION OF REVISION	DRAW BY DATE	CHECK BY DATE	APPROVE BY DATE
01			Hank 12/19/18	Lucas 12/19/18	Ray 12/19/18

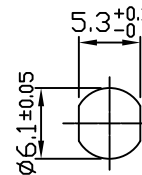


GTC  
DOC.CENTER.ISSUE  
DEC.20.2018  
ONLY FOR  
RELEASE

6	Glue	Epoxy Color: Black	
5	Shrink Tube	L=6mm Color: Black	3
4	Shrink Tube	L=12mm Color: Black	1
3	Over Mold	TPU Color: Black	1
2	Cable	UL20549 22AWG*3C+Al/My OD=4.4mm, PU, Color: Black	1
1	Snap-in M6 5A Female 3P Panel	GT Contact P/N: GT1S1401-02030	1
Item	Part Name	Material / Finish	Q'ty

Black	1
Brown	2
Red	3

Wiring Diagram



Recommend  
Panel Cut-Out

GT1S1401-02032-10	1000mm	+500
GT1S1401-02032-09	900mm	+450
GT1S1401-02032-08	800mm	+400
GT1S1401-02032-07	700mm	+150
GT1S1401-02032-06	600mm	+150
GT1S1401-02032-05	500mm	+150
GT1S1401-02032-04	400mm	+150
GT1S1401-02032-03	300mm	+100
GT1S1401-02032-02	200mm	+100
GT1S1401-02032-01	100mm	+50
GT1S1401-02032-29	900mm	+50
GT1S1401-02032-Z8	800mm	+50
GT1S1401-02032-Z7	700mm	+50
GT1S1401-02032-Z6	600mm	+50
GT1S1401-02032-Z5	500mm	+50
GT1S1401-02032-Z4	400mm	+50
GT1S1401-02032-Z3	300mm	+25
GT1S1401-02032-Z2	200mm	+25

Part No.	Cable Length	Tol.
----------	--------------	------

GT Contact CO.,LTD

NOTICE OF PROPRIETARY PROPERTY:  
THE INFORMATION CONTAINED HEREIN IS THE PROPRIETARY PROPERTY OF GT Contact CO.,LTD THE POSSESSOR AGREES TO THE FOLLOWING:  
① TO MAINTAIN THIS DOCUMENT IN CONFIDENCE  
② NOT TO REPRODUCE OR COPY IT  
③ NOT TO REVEAL OR PUBLISH IT IN WHOLE OR PART  
④ ALL RIGHTS RESERVED

TITLE						DRAWING NUMBER			REV.	
Snap-in M6 5A Female 3P Panel With Cable						GT1S1401-02032-XX			01	
	B	1:1	Hank 12/19/18	Lucas 12/19/18	Ray 12/19/18	XX ± 0.5	XXX ± 0.05	mm	1/1	
THIRD ANGLE PROJECTION	SIZE	SCALE	DRAW / DATE	CHECK / DATE	APPROVE / DATE	TOLERANCES		UNIT	SHEET	