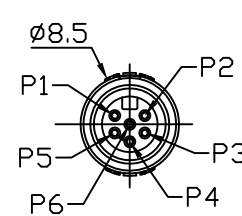
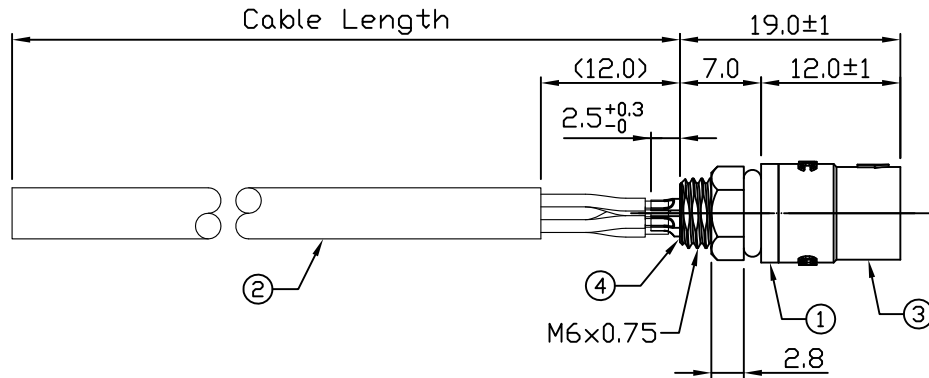


Notes: (Unless Otherwise Specified)

1. WaterProof Rate : IP67
2. Recommend Panel Thickness: 0.8 To 2.0 mm.
3. Recommend Torque: 5~6 Kgf-cm.
4. RoHS Compliant.

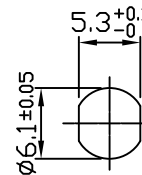
REV	ECN#	DESCRIPTION OF REVISION	DRAW BY DATE	CHECK BY DATE	APPROVE BY DATE
01			Hank 12/19/18	Lucas 12/19/18	Ray 12/19/18



GTC
DOC.CENTER.ISSUE
DEC.20.2018
ONLY FOR
RELEASE

Black	1
Brown	2
Red	3
Orange	4
Yellow	5
Green	6

Wiring Diagram



Recommend
Panel Cut-Out

GT1S1401-01062-10	1000mm	+500
GT1S1401-01062-09	900mm	+450
GT1S1401-01062-08	800mm	+400
GT1S1401-01062-07	700mm	+150
GT1S1401-01062-06	600mm	+150
GT1S1401-01062-05	500mm	+150
GT1S1401-01062-04	400mm	+150
GT1S1401-01062-03	300mm	+100
GT1S1401-01062-02	200mm	+100
GT1S1401-01062-01	100mm	+50
GT1S1401-01062-Z9	900mm	+50
GT1S1401-01062-Z8	800mm	+50
GT1S1401-01062-Z7	700mm	+50
GT1S1401-01062-Z6	600mm	+50
GT1S1401-01062-Z5	500mm	+50
GT1S1401-01062-Z4	400mm	+50
GT1S1401-01062-Z3	300mm	+25
GT1S1401-01062-Z2	200mm	+25

Part No.	Cable Length	Tol.
----------	--------------	------

GT Contact CO.,LTD

NOTICE OF PROPRIETARY PROPERTY:
THE INFORMATION CONTAINED HEREIN IS THE PROPRIETARY PROPERTY OF GT Contact CO.,LTD THE POSSESSOR AGREES TO THE FOLLOWING:
Ⓞ TO MAINTAIN THIS DOCUMENT IN CONFIDENCE
Ⓞ NOT TO REPRODUCE OR COPY IT
Ⓞ NOT TO REVEAL OR PUBLISH IT IN WHOLE OR PART
Ⓞ ALL RIGHTS RESERVED

Item	Part Name	Material / Finish	Q'ty
4	Glue	Epoxy Color: Black	
3	Over Mold	TPU Color: Black	1
2	Cable	UL20549 24AWG*6C+A ØD=5.0mm, PU, Color: Black	1
1	Snap-in M6 2A Female 6P Panel	GT Contact P/N: GT1S1401-01060	1

TITLE						DRAWING NUMBER			REV.	
Snap-in M6 2A Female 6P Panel With Cable						GT1S1401-01062-XX			01	
	B	1:1	Hank 12/19/18	Lucas 12/19/18	Ray 12/19/18	X.X ± 0.5 X.XX ± 0.2	X.XXX ± 0.05 ANGLES ± 1°	mm	1/1	
THIRD ANGLE PROJECTION	SIZE	SCALE	DRAW / DATE	CHECK / DATE	APPROVE / DATE	TOLERANCES		UNIT	SHEET	