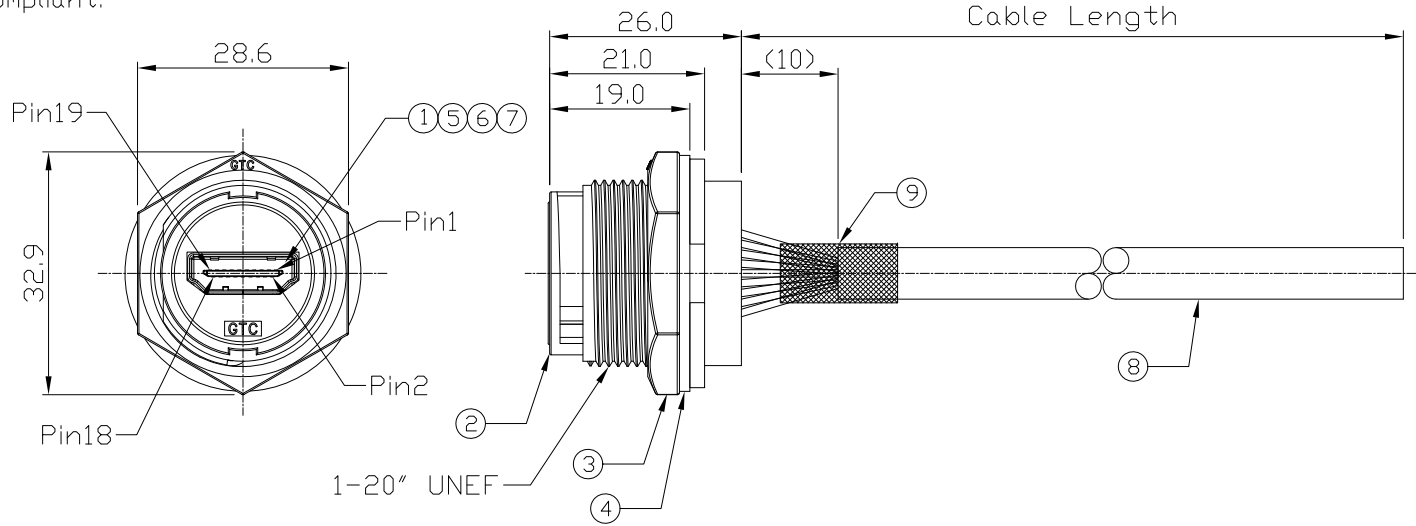


Notes: (Unless Otherwise Specified)

1. Waterproof Rate: IP67.
2. Recommend Panel Thickness: 0.8 to 6.0 mm.
3. Recommend Torque: 19~20 Kgf-cm.
4. Mating Cap P/N: GT1C1110X2.
5. RoHS Compliant.

REV	ECN#	DESCRIPTION OF REVISION	DRAW BY DATE	CHECK BY DATE	APPROVE BY DATE
03	ECN-191205	Change Cable (REV: 1.3 => REV: 1.4)	Whitney 12/13/19	Lucas 12/13/19	Ray 12/13/19

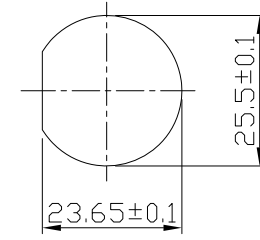


GTC
DOC.CENTER.ISSUE
DEC.19.2019
ONLY FOR
RELEASE

9	Shrink Tube	L=20mm Color: Black	1
8	Cable	UL20276 [(28#/1PR+EAM)*5+(28#/4C)]+AB85% Color: Black, OD=7.3mm	1
7	Glue	Epoxy Color: Black	
6	Hold	Silicone Color: Black	1
5	PCB	FR-4 Color: Black	1
4	Gasket	Silicone Color: Black	1
3	Hex Nut	Thermoplastic Color: Black	1
2	Housing	Thermoplastic Color: Black	1
1	HDMI Female	Housing: Thermoplastic, Color: Black Contacts: Copper Alloy, Finish: Au Plated Shell: Copper Alloy, Finish: Ni Plated	1
Item	Part Name	Material / Finish	Qty

1	White
2	Drain
3	Brown
4	White
5	Drain
6	Red
7	White
8	Drain
9	Green

10	White
11	Drain
12	Blue
13	Red
15	White
16	Purple
18	Black
14	White
17	Drain
19	Orange
Shell	Braid



Recommend
Panel Cut-Out

GT1H1200-03-05	5000 mm	+150
GT1H1200-03-04	4000 mm	+150
GT1H1200-03-03	3000 mm	+100
GT1H1200-03-02	2000 mm	+100
GT1H1200-03-01	1000 mm	+50
GT1H1200-03-Z9	900 mm	+50
GT1H1200-03-Z8	800 mm	+50
GT1H1200-03-Z7	700 mm	+50
GT1H1200-03-Z6	600 mm	+50
GT1H1200-03-Z5	500 mm	+50
GT1H1200-03-Z4	400 mm	+50
GT1H1200-03-Z3	300 mm	+25
GT1H1200-03-Z2	200 mm	+25
Part No.	Cable Length	Tol.

Wiring Diagram

TITLE						DRAWING NUMBER			REV.	
HDMI C4 Plastic Panel Female Lock						GT1H1200-03-XX			03	
THIRD ANGLE PROJECTION	SIZE	SCALE	DRAW / DATE	CHECK / DATE	APPROVE / DATE	X.X ± 0.5 X.XX ± 0.2	X.XXX ± 0.05 ANGLES ± 1°	mm	1/1	
	B	1:1	Joyce 04/26/17	Lucas 04/26/17	Ray 04/26/17	TOLERANCES		UNIT	SHEET	

GT Contact CO.,LTD

NOTICE OF PROPRIETARY PROPERTY:
THE INFORMATION CONTAINED HEREIN IS THE PROPRIETARY PROPERTY OF GT Contact CO.,LTD THE POSSESSOR AGREES TO THE FOLLOWING:
(a) TO MAINTAIN THIS DOCUMENT IN CONFIDENCE
(b) NOT TO REPRODUCE OR COPY IT
(c) NOT TO REVEAL OR PUBLISH IT IN WHOLE OR PART
(d) ALL RIGHTS RESERVED