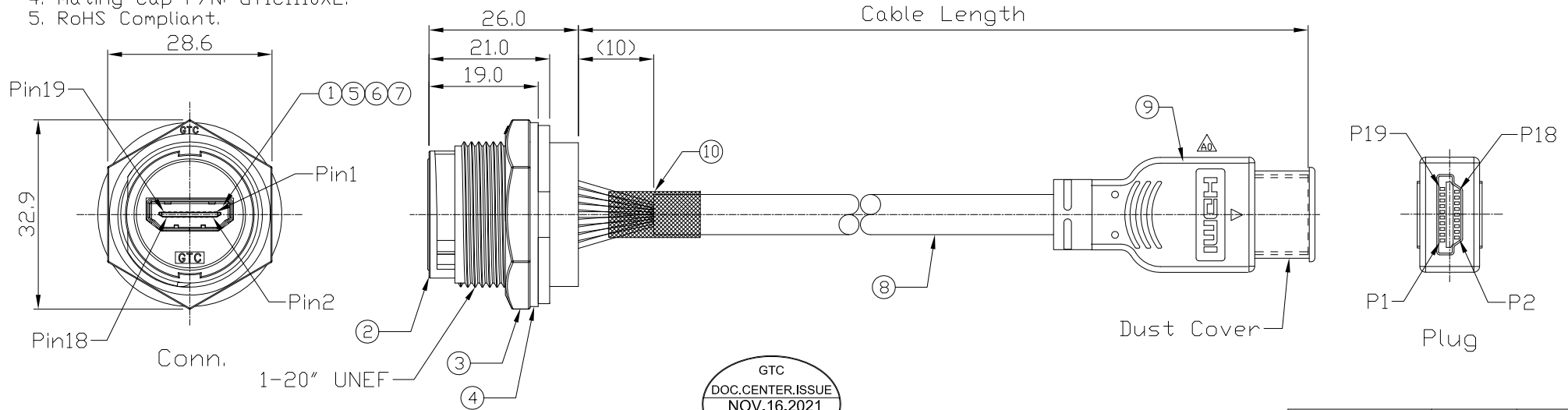


Notes: (Unless Otherwise Specified)

1. Waterproof Rate: IP67.
2. Recommend Panel Thickness: 0.8 to 6.0 mm.
3. Recommend Torque: 19~20 Kgf-cm.
4. Mating Cap P/N: GT1C1110X2.
5. RoHS Compliant.

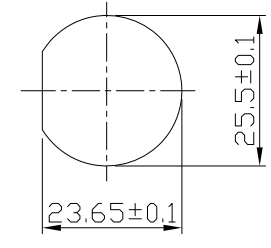
REV	ECN#	DESCRIPTION OF REVISION	DRAW BY DATE	CHECK BY DATE	APPROVE BY DATE
A0	ECN-211102	Change HDMI Plug And Molded.	Aileen 11/15/21	Lucas 11/15/21	Ray 11/15/21



Item	Part Name	Material / Finish	Q'ty
10	Shrink Tube	L=20mm Color: Black	1
9	HDMI Male	HDMI 19P Male IDC Type Color: Black	1
8	Cable	UL20276 [(28#/1PR+EAM)*5+(28#/4C)]+AB85% Color: Black, OD=7.3mm	1
7	Glue	Epoxy Color: Black	
6	Hold	Silicone Color: Black	1
5	PCB	FR-4 Color: Black	1
4	Gasket	Silicone Color: Black	1
3	Hex Nut	Thermoplastic Color: Black	1
2	Housing	Thermoplastic Color: Black	1
1	HDMI Female	Housing: Thermoplastic, Color: Black Contacts: Copper Alloy, Finish: Au Plated Shell: Copper Alloy, Finish: Ni Plated	1

Conn.	Color	Pin	Plug
1	White	1	10
2	Drain	2	11
3	Brown	3	12
4	White	4	13
5	Drain	5	15
6	Red	6	16
7	White	7	18
8	Drain	8	14
9	Green	9	17
			19
			Shell

Wiring Diagram



Recommend Panel Cut-Out

Part No.	Cable Length	Tol.
GT1H1200-02-05	5000 mm	+150
GT1H1200-02-04	4000 mm	+150
GT1H1200-02-03	3000 mm	+100
GT1H1200-02-02	2000 mm	+100
GT1H1200-02-01	1000 mm	+50
GT1H1200-02-Z9	900 mm	+50
GT1H1200-02-Z8	800 mm	+50
GT1H1200-02-Z7	700 mm	+50
GT1H1200-02-Z6	600 mm	+50
GT1H1200-02-Z5	500 mm	+50
GT1H1200-02-Z4	400 mm	+50
GT1H1200-02-Z3	300 mm	+25
GT1H1200-02-Z2	200 mm	+25

TITLE						DRAWING NUMBER			REV.	
HDMI C4 Plastic Panel Female Lock With HDMI Plug						GT1H1200-02-XX			A0	
THIRD ANGLE PROJECTION	SIZE	SCALE	DRAW / DATE	CHECK / DATE	APPROVE / DATE	TOLERANCES		UNIT	SHEET	
	B	1:1	Lucas 07/07/15	Lucas 07/07/15	Ray 07/07/15	X.X ± 0.5 X.XX ± 0.2	X.XXX ± 0.05 ANGLES ± 1°	mm	1/1	

GT Contact CO.,LTD

NOTICE OF PROPRIETARY PROPERTY:

THE INFORMATION CONTAINED HEREIN IS THE PROPRIETARY PROPERTY OF GT Contact CO.,LTD THE POSSESSOR AGREES TO THE FOLLOWING:

(a) TO MAINTAIN THIS DOCUMENT IN CONFIDENCE

(b) NOT TO REPRODUCE OR COPY IT

(c) NOT TO REVEAL OR PUBLISH IT IN WHOLE OR PART

(d) ALL RIGHTS RESERVED