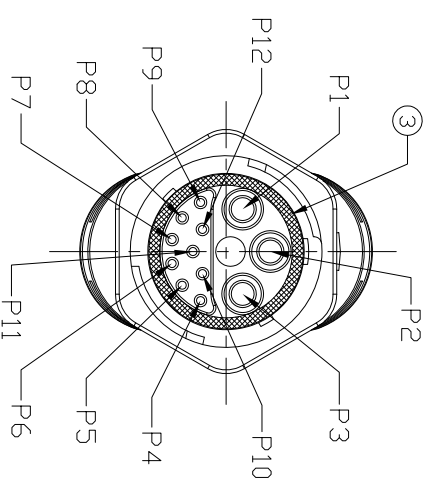
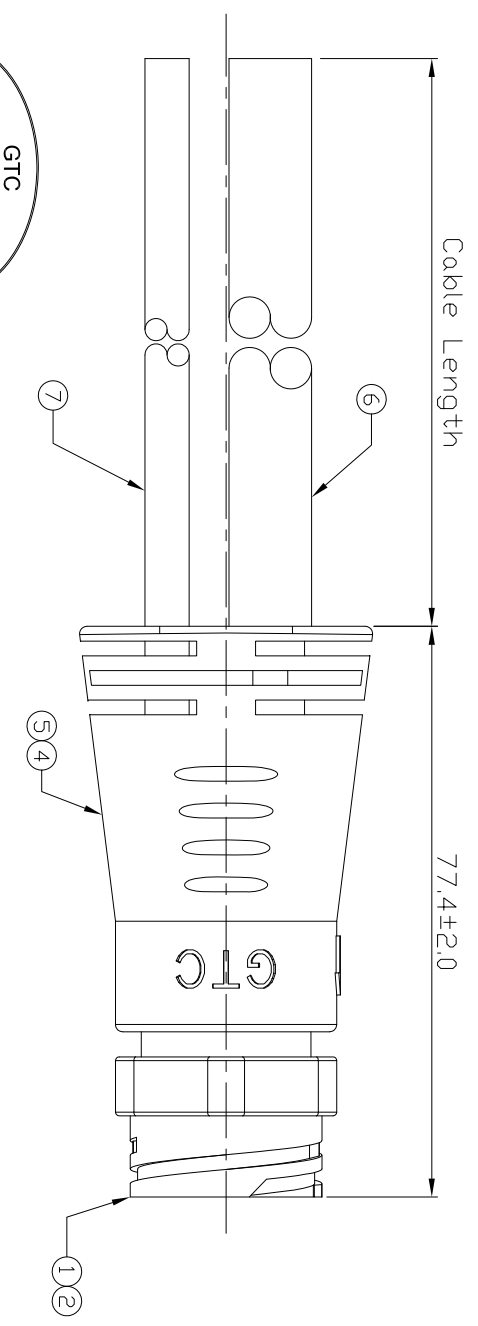


Notes: (Unless Otherwise Specified)
 1. Waterproof Rate: IP67.
 2. RoHS Compliant.

REV	ECN#	DESCRIPTION OF REVISION	DRAW BY DATE	CHECK BY DATE	APPROVE BY DATE
A0	ECN-121120	Mass Production	Lucas 11/22/12	Lucas 11/22/12	Roy 11/22/12



GTC
 DOC.CENTER.ISSUE
 NOV/27.2012
 ONLY FOR
 RELEASE

Item	Part Name	Material / Finish	Qty
1	Housing	Thermoplastic Color: Black	1
2	Contacts	Copper Alloy Finish: Gold Flash	12
3	O-ring	Silicone Color: Red	1
4	Inner Mold	Thermoplastic Color: White Or Black	1
5	Diver Mold	PVC Color: Black	1
6	SJTW	SJTW 14AWG*3C, OD=9.3mm Color: Black	1
7	FTP CAT-5e	UL2835 24AWG*4P+MEA, OD=6.0mm Color: Black	1

SJTW	Color
1	Black
2	Green
3	White
4	Brown
5	Brown/White
6	Blue
7	Blue/White
8	Orange
9	Orange/White
10	Green
11	Green/White
12	Drain

Wiring Diagram

Hybrid CS 20A+5A 3P+9P Cable To Cable Female Twist Lock

TITLE	DRAWING NUMBER	REV.
Hybrid CS 20A+5A 3P+9P Cable To Cable Female Twist Lock	GT1D5132-25393-XX(F)	A0

THIRD ANGLE PROJECTION	SIZE	SCALE	DRAW / DATE	CHECK / DATE	APPROVE / DATE	TOLERANCES	UNIT	SHEET
1	B	1:1	Lucas 04/27/12	Lucas 04/27/12	Roy 04/27/12	± 0.5 ANGLES ± 1°	mm	1/1

Part No.	Cable Length	Tol.
GT1D5132-25393-10(F)	1000 mm	±50
GT1D5132-25393-09(F)	900 mm	±450
GT1D5132-25393-08(F)	800 mm	±400
GT1D5132-25393-07(F)	700 mm	±350
GT1D5132-25393-06(F)	600 mm	±300
GT1D5132-25393-05(F)	500 mm	±250
GT1D5132-25393-04(F)	400 mm	±200
GT1D5132-25393-03(F)	3000 mm	±150
GT1D5132-25393-02(F)	2000 mm	±100
GT1D5132-25393-01(F)	1000 mm	±50
GT1D5132-25393-29(F)	900 mm	±40
GT1D5132-25393-28(F)	800 mm	±40
GT1D5132-25393-27(F)	700 mm	±40
GT1D5132-25393-26(F)	600 mm	±40
GT1D5132-25393-25(F)	500 mm	±40

GT Contact CD,LTID

NOTICE OF PROPRIETARY PROPERTY:
 THE INFORMATION CONTAINED HEREIN IS THE PROPRIETARY PROPERTY OF GT CONTACT CO,LTID THE POSSESSOR AGREES TO MAINTAIN THIS DOCUMENT IN CONFIDENCE AND NOT TO REPRODUCE OR PUBLISH IT IN WHOLE OR PART (C) ALL RIGHTS RESERVED