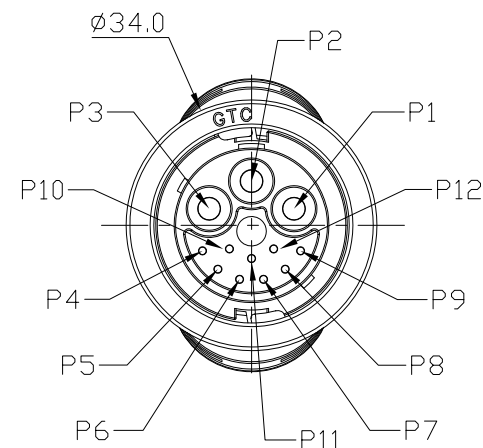
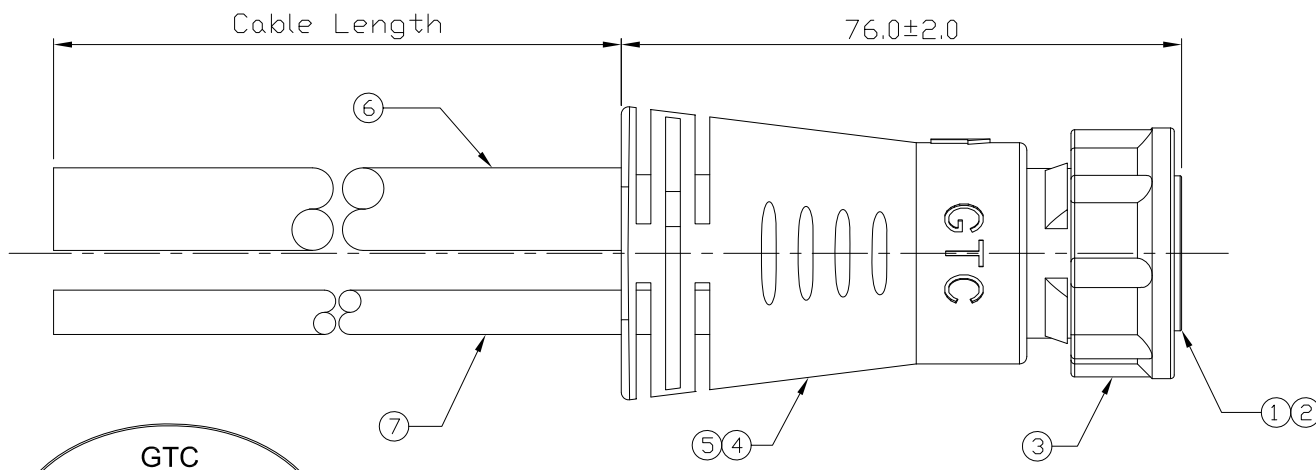


Notes: (Unless Otherwise Specified)

1. Waterproof Rate: IP67.
2. RoHS Compliant.

REV	ECN#	DESCRIPTION OF REVISION	DRAW BY DATE	CHECK BY DATE	APPROVE BY DATE
A0	ECN-121120	Mass Production	Lucas 11/22/12	Lucas 11/22/12	Ray 11/22/12



GTC  
DOC.CENTER.ISSUE  
NOV.27.2012  
ONLY FOR  
RELEASE

Item	Part Name	Material / Finish	Q'ty
1	FTP CAT-5e	UL2835 24AWG*4P+MEA, OD=6.0mm Color: Black	1
2	SJTW	SJTW 14AWG*3C, OD=9.3mm Color: Black	1
3	Over Mold	PVC Color: Black	1
4	Inner Mold	Thermoplastic Color: White Or Black	1
5	Twist Lock Nut	Thermoplastic Color: Black	1
6	Contacts	Copper Alloy Finish: Gold Flash	12
7	Housing	Thermoplastic Color: Black	1

Color	Wiring
Black	1
Green	2
White	3
Brown	4
Brown/White	5
Blue	6
Blue/White	7
Orange	8
Orange/White	9
Green	10
Green/White	11
Drain	12

GT1D5123-25393-10(F)	10000 mm	±500
GT1D5123-25393-09(F)	9000 mm	±450
GT1D5123-25393-08(F)	8000 mm	±400
GT1D5123-25393-07(F)	7000 mm	±350
GT1D5123-25393-06(F)	6000 mm	±300
GT1D5123-25393-05(F)	5000 mm	±250
GT1D5123-25393-04(F)	4000 mm	±200
GT1D5123-25393-03(F)	3000 mm	±150
GT1D5123-25393-02(F)	2000 mm	±100
GT1D5123-25393-01(F)	1000 mm	±50
GT1D5123-25393-Z9(F)	900 mm	±40
GT1D5123-25393-Z8(F)	800 mm	±40
GT1D5123-25393-Z7(F)	700 mm	±40
GT1D5123-25393-Z6(F)	600 mm	±40
GT1D5123-25393-Z5(F)	500 mm	±40
Part No.	Cable Length	Tol.

Wiring Diagram

TITLE						DRAWING NUMBER			REV.	
Hybrid C5 20A+5A 3P+9P Cable End Male Twist Lock						GT1D5123-25393-XX(F)			A0	
THIRD ANGLE PROJECTION	SIZE	SCALE	DRAW / DATE	CHECK / DATE	APPROVE / DATE	TOLERANCES		UNIT	SHEET	
	B	1:1	Lucas 04/05/12	Lucas 04/05/12	Ray 04/05/12	X.X ± 0.5 X.XX ± 0.2	X.XXX ± 0.05 ANGLES ± 1°	mm	1/1	

GT Contact CO.,LTD

NOTICE OF PROPRIETARY PROPERTY:  
THE INFORMATION CONTAINED HEREIN IS THE PROPRIETARY PROPERTY OF GT Contact CO.,LTD THE POSSESSOR AGREES TO THE FOLLOWING:  
(A) TO MAINTAIN THIS DOCUMENT IN CONFIDENCE  
(B) NOT TO REPRODUCE OR COPY IT  
(C) NOT TO REVEAL OR PUBLISH IT IN WHOLE OR PART  
(D) ALL RIGHTS RESERVED