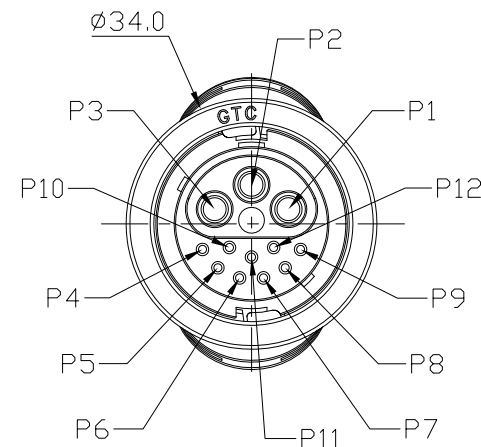
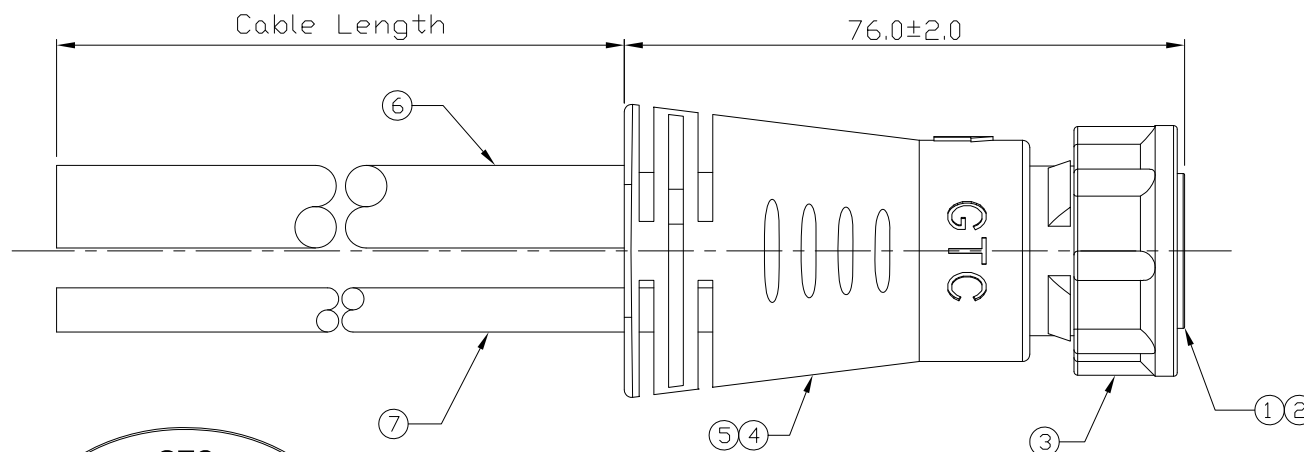


Notes: (Unless Otherwise Specified)

1. Waterproof Rate: IP67.
2. RoHS Compliant.

REV	ECN#	DESCRIPTION OF REVISION	DRAW BY DATE	CHECK BY DATE	APPROVE BY DATE
A0	ECN-121120	Mass Production	Lucas 11/22/12	Lucas 11/22/12	Ray 11/22/12



GTC  
DOC.CENTER.ISSUE  
NOV.27.2012  
ONLY FOR  
RELEASE

STOW		
	1	Black
	2	Green
	3	White
	4	Brown
	5	Brown/White
	6	Blue
	7	Blue/White
CAT-5e	8	Orange
	9	Orange/White
	10	Green
	11	Green/White
	12	Drain

GT1D5122-25394-10(F)	10000 mm	±500
GT1D5122-25394-09(F)	9000 mm	±450
GT1D5122-25394-08(F)	8000 mm	±400
GT1D5122-25394-07(F)	7000 mm	±350
GT1D5122-25394-06(F)	6000 mm	±300
GT1D5122-25394-05(F)	5000 mm	±250
GT1D5122-25394-04(F)	4000 mm	±200
GT1D5122-25394-03(F)	3000 mm	±150
GT1D5122-25394-02(F)	2000 mm	±100
GT1D5122-25394-01(F)	1000 mm	±50
GT1D5122-25394-Z9(F)	900 mm	±40
GT1D5122-25394-Z8(F)	800 mm	±40
GT1D5122-25394-Z7(F)	700 mm	±40
GT1D5122-25394-Z6(F)	600 mm	±40
GT1D5122-25394-Z5(F)	500 mm	±40
Part No.	Cable Length	Tol.

Item	Part Name	Material / Finish	Q'ty
7	FTP CAT-5e	UL2835 24AWG*4P+MEA, OD=6.0mm Color: Black	1
6	STOW	STOW 12AWG*3C, OD=15.1mm Color: Black	1
5	Over Mold	PVC Color: Black	1
4	Inner Mold	Thermoplastic Color: White Or Black	1
3	Twist Lock Nut	Thermoplastic Color: Black	1
2	Contacts	Copper Alloy Finish: Gold Flash	12
1	Housing	Thermoplastic Color: Black	1

Wiring Diagram

GT Contact CO.,LTD

NOTICE OF PROPRIETARY PROPERTY:  
THE INFORMATION CONTAINED HEREIN IS THE PROPRIETARY PROPERTY OF GT CONTACT CO.,LTD. THE POSSESSOR AGREES TO THE FOLLOWING:  
(1) TO MAINTAIN THIS DOCUMENT IN CONFIDENCE  
(2) NOT TO REPRODUCE OR COPY IT  
(3) NOT TO REVEAL OR PUBLISH IT IN WHOLE OR PART  
(4) ALL RIGHTS RESERVED

TITLE						DRAWING NUMBER			REV.	
Hybrid C5 20A+5A 3P+9P Cable End Female Twist Lock						GT1D5122-25394-XX(F)			A0	
	B	1:1	Lucas 05/04/12	Lucas 05/04/12	Ray 05/04/12	X.X ± 0.5 X.XX ± 0.2	X.XXX ± 0.05 ANGLES ± 1°	mm	1/1	
THIRD ANGLE PROJECTION	SIZE	SCALE	DRAW / DATE	CHECK / DATE	APPROVE / DATE	TOLERANCES		UNIT	SHEET	